

Tired of this?



- Hydraulic leaks resulting in unsightly housekeeping and safety concerns
- Repetitive and frequent maintenance
- Sensor contamination causing nuisance control and web alignment problems
- Tedious power unit teardowns and re-builds with numerous components
- Expensive spare parts and factory overhauls

There is a better way

Imagine replacing your aging pneumo-hydraulic or electro-hydraulic power unit with a non-hydraulic based control system designed for your application and equipment layout. North American's Guiding Systems Group can specify, design, and provide all the necessary components - including mounting hardware - for your conversion. Our job is to make your conversion simple and improve your web guiding system's performance at the same time, all hassle-free.

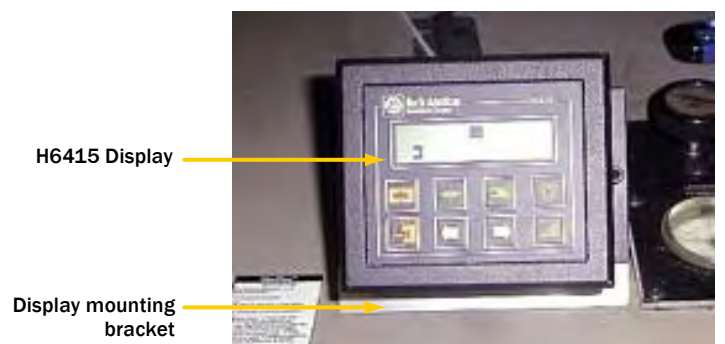
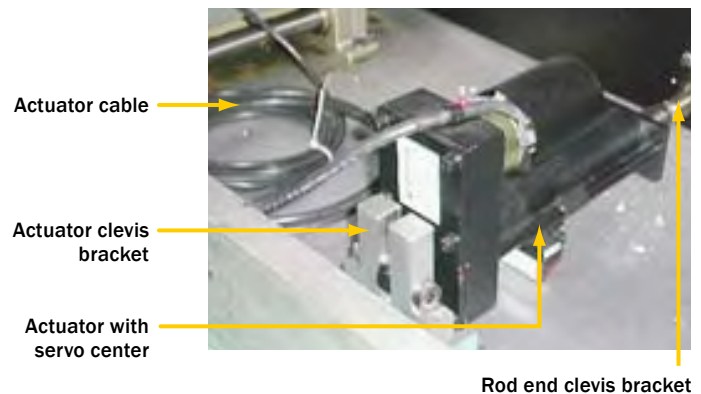
North American Manufacturing Company offers 50+ years of web guiding application knowledge, expertise, and engineering in concert with the SimPlex™ product line to eliminate the common problems associated with aging pneumo-hydraulic and electro-hydraulic power units. We have designed electro-mechanical retrofit packages specifically for three applications - unwinds, steering guides, and displacement guides. In each case, the simplicity of SimPlex is coupled with our engineering excellence to deliver a seamless and straightforward implementation.

Through the entire process, your local NA sales engineer will work closely with you to ensure all details and specifications are known and to execute the conversion in a quick and simple manner. Let the simplicity of SimPlex eliminate the problems of aging legacy control schemes and deliver a state-of-the art web guiding system.

Our Retrofit Packages Include

- SimPlex controller and display
- Display mounting bracket
- Electro-mechanical actuator sized to application requirements
- All necessary cables
- Clevis bracket and pin for actuator rod end
- Clevis or trunnion bracket and shoulder bolt for actuator clevis end
- Necessary mounting hardware and brackets
- Installation instructions with mounting dimensions

Unwind Conversion



QUICK READ

Eliminate all the problems of legacy pneumo-hydraulic control systems

NA offers electro-mechanical conversion packages for retrofit applications

All mounting hardware and instructions provided for hassle-free upgrade to SimPlex controls

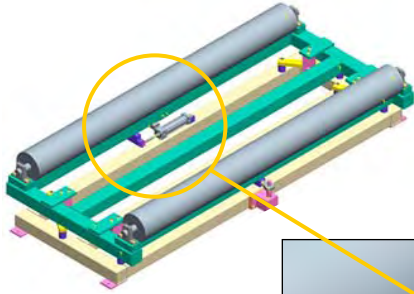
Displacement Guide Conversion

QUICK READ

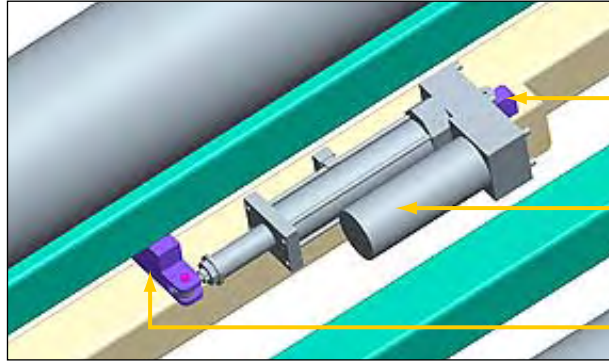
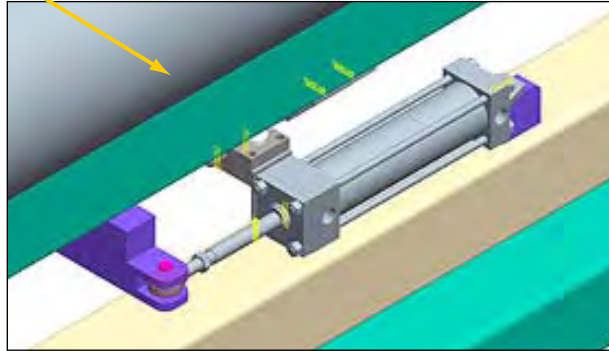
Eliminate all the problems of legacy pneumo-hydraulic control systems

NA offers electro-mechanical conversion packages for retrofit applications

All mounting hardware and instructions provided for hassle-free upgrade to SimPlex controls



Hydraulic cylinder in displacement guide with plunger-style servo center



- Actuator mounting block and shoulder bolt
- Actuator with non-contact servo center sensor
- Rod eye mounting block and pin

Steering Guide Conversion



- HAGF-style steering guide
- Flange mount of actuator
- H3184 servo center
- H5530H 1000 lb actuator
- New shaft support mounting block

The SimPlex Advantage

- Plug-n-play components
- Automatic one-touch setup. No configuration required.
- Built-in self diagnostics and fault annunciation
- Operator keyboard lockout capability
- 115/230 VAC or 24 VDC
- UL registered and CE certified electronics

www.namfg.com
guiding@namfg.com

Application Report
 No. 020

4455 East 71st Street
 Cleveland, OH 44105-5600 USA
 Tel 216.271.6000 guiding@namfg.com