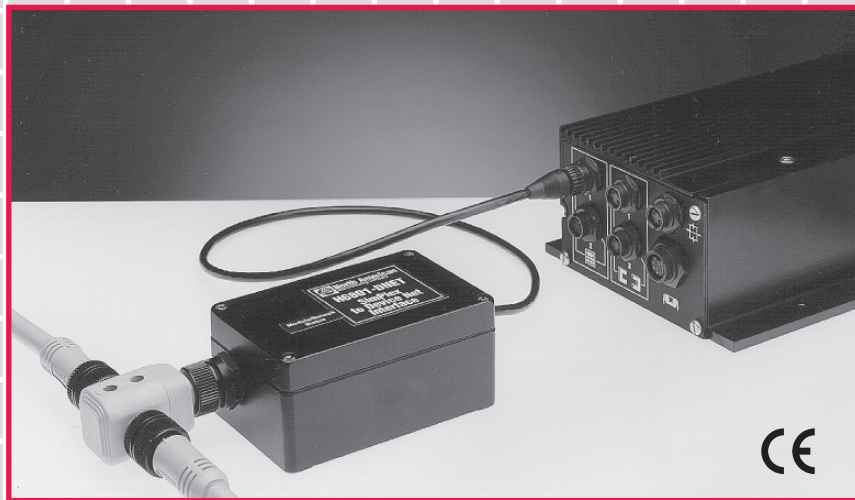


H6801 SimPlex™ to DeviceNet™ INTERFACE

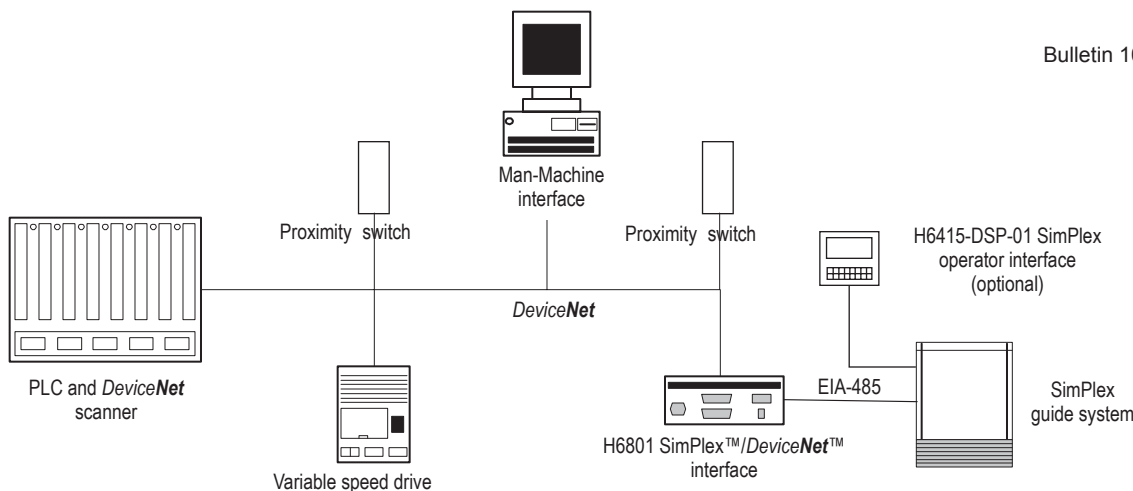


- DIN rail or surface mount
 - Compact package
 - Sealed enclosure
 - CE compliant
- Remotely, via DeviceNet™, you can:
 - Change the mode of operation
 - Download run-specific settings
 - Offset the control point
 - Monitor system status
 - Change detector selection

Today's modern machinery integrates multitudes of sensors, actuators, and controls that require sequencing and complex logic. The need to centralize and simplify the machine operator's duties, the desire to reduce wiring to the electrical components, and the efficiency resulting from monitoring diagnostic status of individual device's have spurred the acceptance of device level network busses. *DeviceNet* is a CAN (Controller Area Network) protocol based network that has gained wide acceptance in the converting industry.

Fives North American's SimPlex to *DeviceNet* Interface allows integration of our popular SimPlex guiding system into the *DeviceNet* network. With the addition of this "gateway" device, commands transmitted via *DeviceNet* are interpreted and communicated via EIA-485 serial transmission to the H6415 SimPlex Controller. Centralized control/monitoring of single or multiple web guiding systems is now a reality! Simultaneous operation of local control is maintained using the H6415-DSP Operator Interface.

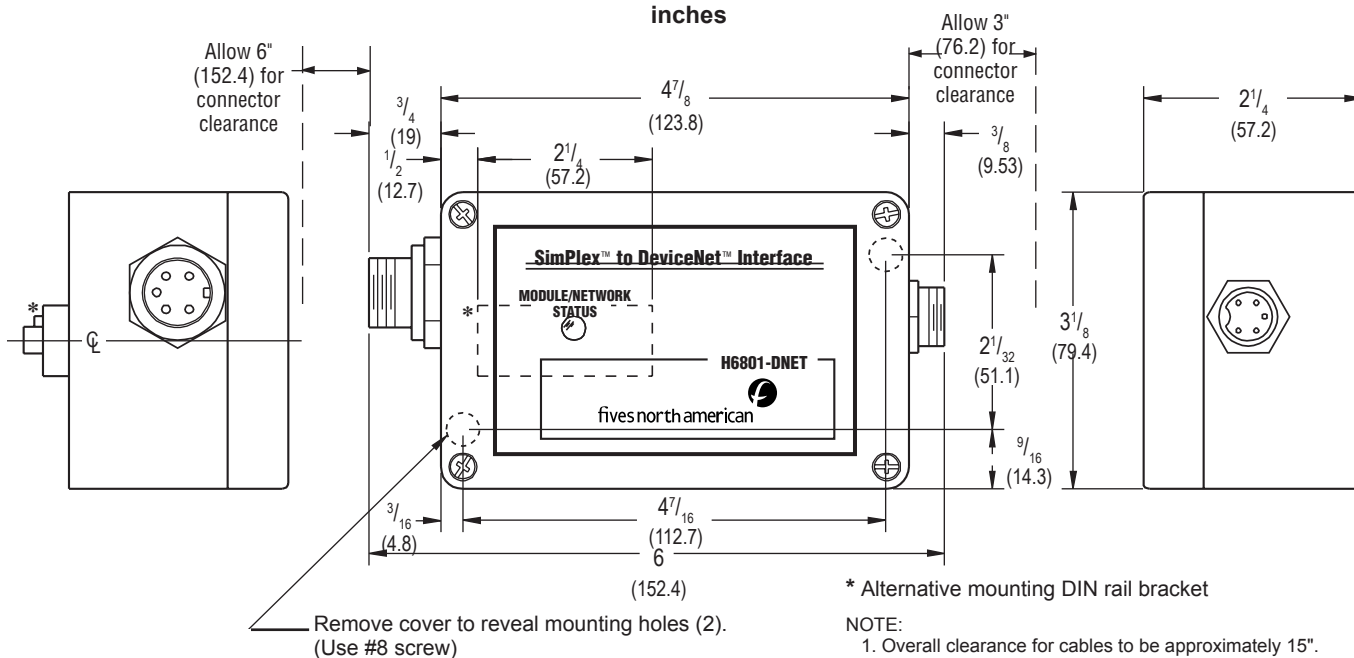
All of the functions available from the H6415-DSP Operator Interface, and more, are available via the SimPlex to *DeviceNet* Interface. Remotely, from your Man-Machine Interface (MMI), an operator can place the system in automatic control, center the guide for setup, or select the detector to use in guide control. If changeovers of web types are frequent, run-specific settings may be stored and recalled for the next run of that type. Lastly, one can monitor the system status codes and alarm conditions to quickly advise the operator of situations and conditions that need attention.



Arrangement of an H6801 on a typical DeviceNet System

DIMENSIONS

inches



SPECIFICATIONS

Model Number: H6801-DNET-SM SimPlex to DeviceNet Interface surface mount only
H6801-DINKIT DIN rail mounting kit

Input Power: 1.5 watts powered off of *DeviceNet* trunk line

Input Connection Type: Sealed, "Mini" style, 5 male pin, 7/8"-16 male thread connector (ANSI B93.55M-1981)

Output Connection Type: 5 female socket EIA-485 connection (for cables noted below)

Cables (H6801 to H6415-AMP):
7 foot (H6801-DNET-07)
15 foot (H6801-DNET-15)

DeviceNet Version: 2.0

Baud Rate: "Smart Baud" feature automatically senses and sets the baud rate at 125, 250, or 500 K baud

Connection types supported:
Polled I/O connection
Explicit Messaging connection

Assembly classes supported:
Input assembly
Output assembly
Configuration assembly

Node Address: Set via internal DIP switch settings
Electronic Data Sheet: Resident in ROM

Fives North American Combustion, Inc. Guiding Systems

4455 EAST 71st STREET, CLEVELAND, OH 44105 USA
Tel: 216.271.6000 Fax: 216.641.7852

email: fna.guiding@fivesgroup.com • www.fivesgroup.com/fivesna