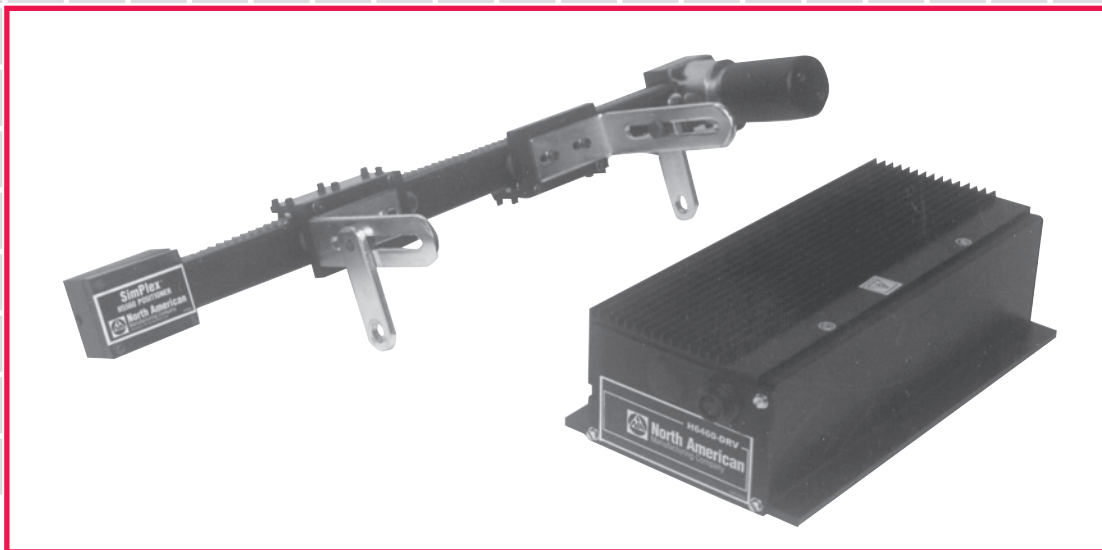


H6460-DRV-01 Power Supply

for SimPlex™ H5560 Positioner



- Used with the H5560 Positioner
- Foldback current limiting for motor protection
- Adjustable output power supply
- Manual detector positioning via external switches
- Plug-in actuator connector
- External 115/230 Vac selector and fuse access

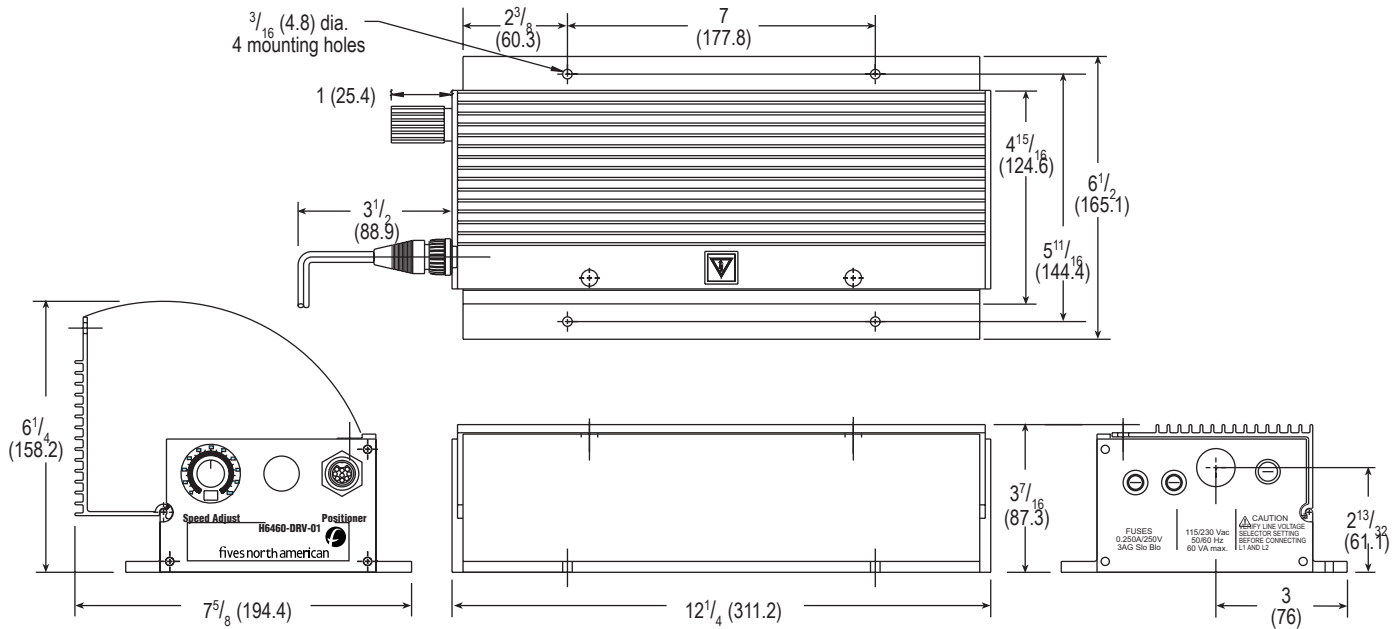
The SimPlex H6460-DRV-01 power supply is used to drive the H5560 family of positioners for manual control of detector location. The drive provides power to the positioner motor via a current-limited +15 volt DC power supply in series with a potentiometer. The potentiometer provides motor speed adjustment capability.

Through externally connected switches (supplied separately by FivesNA or customer), an operator can easily position detectors to set up for varying material widths.

H6460-DRV-01 POWER SUPPLY

DIMENSIONS

inches (mm)



SPECIFICATIONS

Model Number: H6460-DRV-01

Power Requirements: 102-132 or 204-264 V ac
Switch selectable
50-60 Hz, 60 VA max.

Power Output: 15 V at 0.94 A max.
(0.8 A max. at 50 Hz)

Allowable Ambient Temperature: 0-50 C (32-122 F)

Requirements: External pushbutton station such as H4506-100-11. Refer to drawing H4803-5319 for wiring.

Housing Material: Anodized aluminum

Size: 12 1/4" (311.1) L × 6 1/2" (165.1) W × 3 7/16" (87) H

Cables: 15 ft (4.6 m) – P/N H6415-5560-15
7 ft (2.1 m) – P/N H6415-5560-07

Weight: 6.6 lb (3 kg)

ALTERNATIVES

If the intended use of the H5560 is for width chasing systems, then the H6415-AMP-POS is required, instead of the H6460-DRV-01. Please see the H6415-AMP-POS, Bulletin 10028-21.00

Fives North American Combustion, Inc. Guiding Systems

4455 EAST 71st STREET, CLEVELAND, OH 44105 USA
Tel: 216.271.6000 Fax: 216.641.7852

email: fna.guiding@fivesgroup.com □ www.fivesgroup.com/fivesna