

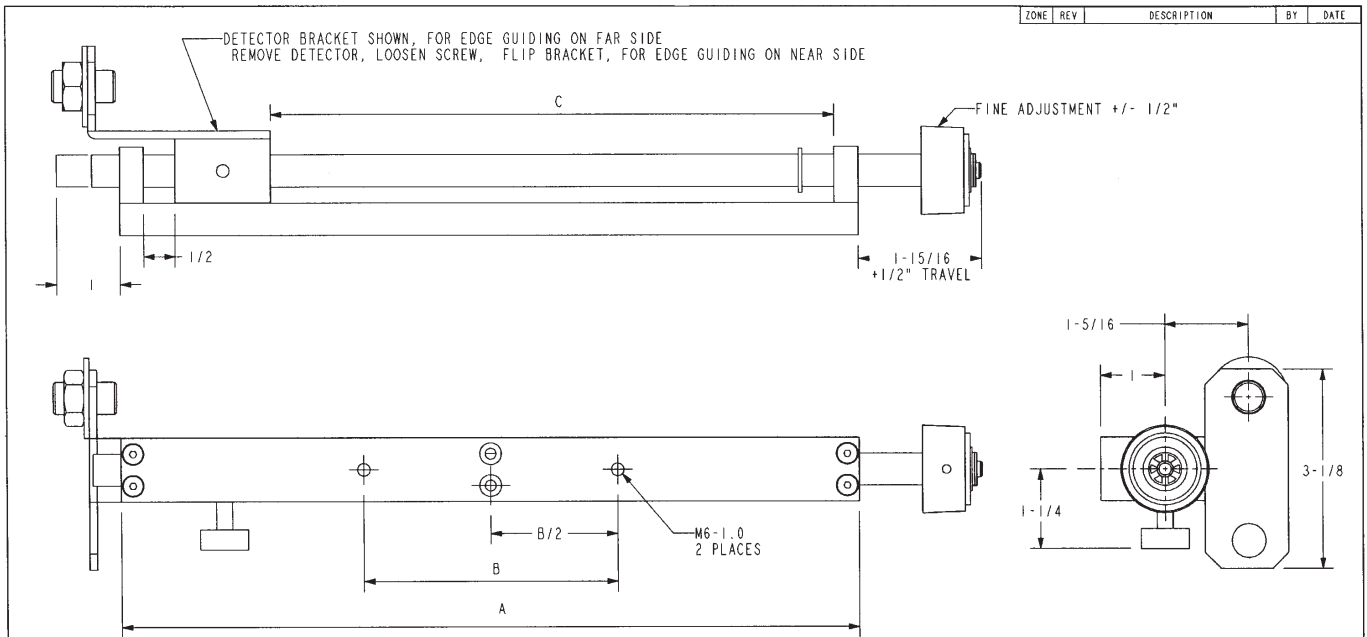


fives north american

Drawing H5559-200-8




November 2000

# H5559-QS Quick Slide Positioner



H5559-QS-26	28-7/8	18	25-7/8
H5559-QS-24	26-7/8	16	23-7/8
H5559-QS-22	24-7/8	14	21-7/8
H5559-QS-20	22-7/8	12	19-7/8
H5559-QS-18	20-7/8	10	17-7/8
H5559-QS-15	17-7/8	7	14-7/8
H5559-QS-12	14-7/8	4	11-7/8
H5559-QS-09	11-7/8	4	8-7/8
MODEL #	A	B	C

TOLERANCES (INCHES) UNLESS OTHERWISE SPECIFIED					
ALL DIMENSIONING AND TOLERANCING PER ASME Y14.5M - 1994					
RANGE OF NOMINAL SIZES IN INCHES	0" TO 6" INCL	OVER 6" TO 12" INCL	OVER 12" TO 24" INCL	OVER 24" TO 72" INCL	OVER 72" TO 168" INCL
WACH DIM. XX	±.002	±.003	±.005	±.030	±.125
WACH DIM. XY	±.01	±.02	±.03	±.06	±.19
STEEL FAB DIM	±1/16	±1/16	±3/32	±1/8	±3/16
ANGULARITY ±1/2°	BREAK ALL SHARP CORNERS .08 RAD MAX OR CHAMFER				
MINIMUM MACHINE FINISH TO BE .125 UNLESS OTHERWISE SPECIFIED					

<table border="1"> <tr> <th>SIGNATURE</th> <th>DATE</th> </tr> <tr> <td>TRG</td> <td>9-30-99</td> </tr> </table>	SIGNATURE	DATE	TRG	9-30-99	<table border="1"> <tr> <td colspan="3">North American Manufacturing Company</td> </tr> <tr> <td colspan="3">CLEVELAND, OH, USA</td> </tr> <tr> <td colspan="3" style="text-align: center;"> <b>H5559-QS</b>  <b>QUICK SLIDE POSITIONER</b> </td> </tr> <tr> <td colspan="3" style="text-align: right;">  </td> </tr> </table>	North American Manufacturing Company			CLEVELAND, OH, USA			<b>H5559-QS</b> <b>QUICK SLIDE POSITIONER</b>					
SIGNATURE	DATE																
TRG	9-30-99																
North American Manufacturing Company																	
CLEVELAND, OH, USA																	
<b>H5559-QS</b> <b>QUICK SLIDE POSITIONER</b>																	
																	
<table border="1"> <tr> <th>ORDER</th> <th>ITEM</th> </tr> <tr> <td>PJ315</td> <td>000</td> </tr> </table>	ORDER	ITEM	PJ315	000	<table border="1"> <tr> <th>DRAWN</th> <th>CHECKD</th> <th>APPVD</th> <th>MAT'L</th> <th>SCALE</th> </tr> <tr> <td>TRG</td> <td></td> <td></td> <td></td> <td>1/1</td> </tr> </table>	DRAWN	CHECKD	APPVD	MAT'L	SCALE	TRG				1/1		
ORDER	ITEM																
PJ315	000																
DRAWN	CHECKD	APPVD	MAT'L	SCALE													
TRG				1/1													
<table border="1"> <tr> <th>DWG</th> <th>1 OF 1</th> <th>DRAWING NUMBER</th> <th>REV</th> <th>PART NUMBER</th> </tr> <tr> <td></td> <td></td> <td>H5559-200-8</td> <td>0</td> <td></td> </tr> </table>		DWG	1 OF 1	DRAWING NUMBER	REV	PART NUMBER			H5559-200-8	0							
DWG	1 OF 1	DRAWING NUMBER	REV	PART NUMBER													
		H5559-200-8	0														

## Fives North American Combustion, Inc. Guiding Systems

4455 EAST 71st STREET, CLEVELAND, OH 44105 USA  
Tel: 216.271.6000 Fax: 216.641.7852

email: fna.guiding@fivesgroup.com - www.fivesgroup.com/fivesna

FNA 7-09-DWG-H5559-200-8