

SIMPLEX™

Electro-Mechanical Guiding Systems for
medium to wide web processes



The new simplicity in web guiding systems

- SimPlex is an advanced, totally integrated digital-based guiding system ideal for today's demanding wide web applications. More compact, smarter, and easier to use, this new generation guiding system provides precise web control while streamlining the tasks of the machine operator.
- SimPlex provides simple one-touch setup while offering self-diagnostics and system status annunciation. No calibration or configuration is required. When power is applied, SimPlex is ready to go.

Operator Interface

H6415-DSP

- Simplicity in auto-web setup
- Self-diagnostics with status messages
- International symbols
- Keyboard lockout feature
- Control from one or two remote locations
- High contrast display
- Flush or surface mount
- Compact design



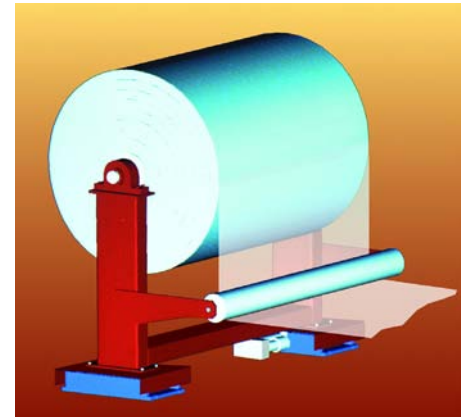
Guide device
for every a

DeviceNet /Computer Interface (EIA-485 Serial Link)

Link to DeviceNet via H6801 or direct to a host computer via EIA-485 serial link

- Remotely duplicate functions from operator interface
- Complement or replace operator interface
- Allows centralized operator control
- Communicate with multiple guiding systems
- Save and recall web setups
- Perform remote offset
- Display and respond to system status codes

DeviceNet™ is a trademark of the Open DeviceNet Vendors Assoc., Inc.



Remote Offset Adjustment

H6415-OFS

For use with wide band detectors

- Remotely shift control point
- Feature can be duplicated through customers' computer interface



The Power of SimPlex

- Highest actuator/guide speeds available in the industry to meet today's higher line speeds
- Price competitive with high maintenance pneumo-hydraulic systems
- No configuration required. Automatic one
- Built in self-diagnostics. Eliminate time co
- Reduced installation costs due to simplici

Detectors



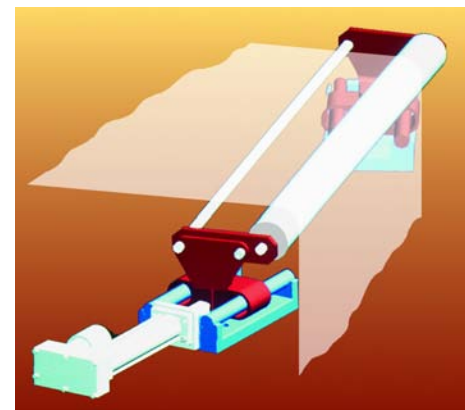
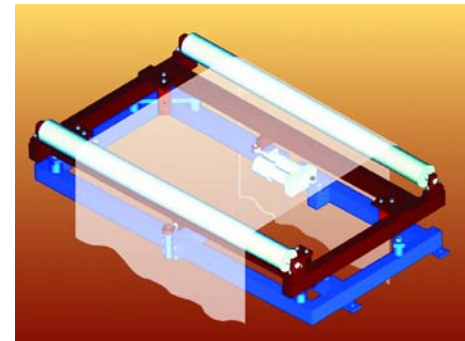
- Discriminating photo-electric spot type
- Discriminating photo-electric wide band
- Discriminating line follower

- Crystal clear webs
- Ambient light rejection
- Very limited available space
- Light sensitive film
- Printing near web edge
- Large width changes
- Guiding to printed line/color contrast
- Variable opacity web
- Ultrasonic
- Large gap and throat

SimPlex is s
web guidin

wide web processes built from an array of innovative components

es available
pplication



-touch setup for any web
nsuming trouble-shooting
y of plug-in design

simplicity in
ng systems

Actuator

H5530 "F" Family

- 150, 300, and 500 lb. thrust available
- Universal flange/clevis mount
- Integral servo-center sensor available

Controllers

H6416, H6421, H6425

- Self-diagnostics
- Advanced PWM motor drive control
- Two EIA-485 (RS-485) serial ports
- Plug-in connections
- No internal operator adjustments
- System status relay outputs
- AC servo center command input
- AC line run/inhibit input
- 115/230 VAC switch selectable
- Senses end-of-travel
- No actuator limit switches required
- 24 VDC applications use H6421-AMP

Actuator

H5530H

- 1000 lbs. thrust at 1.5 inches/second; capable of moving over 10,000 lb load on anti-friction supports
- In-line clevis mount or flange mount
- Actuator brake available
- Integral servo-center sensor available
- All gear/ball screw drive



Accessories

Motorized Detector Positioner

H5560

- Adjusts detector spacing in reference to machine centerline
- Quiet, maintenance-free operation
- Single or dual detector mount

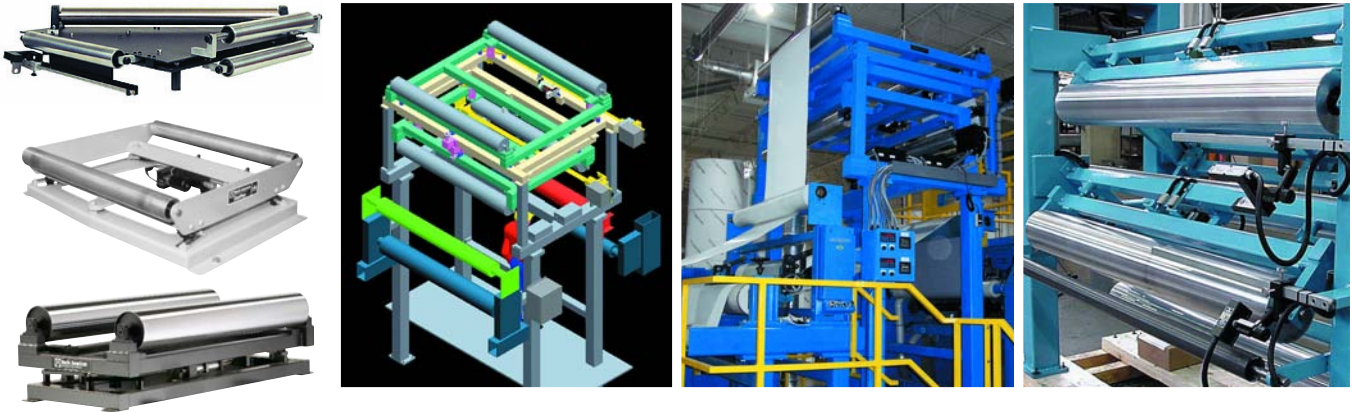
Servo Center

- Automatically positions guide/actuator to center of travel



Engineered solutions using SimPlex

Fives North American offers innovative, customized engineered designs to specifically meet your needs. Using SimPlex's straightforward products, our project engineers can design guide frames, mounting stands, shifting stands or other similar assemblies that simplify your operation, improve web control, and reduce costs.



Guiding experts where and when you need them

Fives North American supports your needs by providing responsive application specialists dedicated to web guiding. Our direct sales force is among the most experienced and knowledgeable in the industry, has the ability to analyze individual situations, and offer the optimum guiding solution. In cooperation with a talented corporate engineering staff, FivesNA is ready to provide a quick response to your needs.

Call us and we'll prove it.



fives north american

Fives North American Combustion, Inc.
GUIDING SYSTEMS

4455 East 71st Street - Cleveland, OH 44105 USA - Tel: 216.271.6000 - Fax: 216.641.7852
Email: fna.guiding@fivesgroup.com - www.fivesgroup.com/fivesna