

SimPlex™ H6421 Controller



- Controller and display combined in one compact unit
- Flush or surface mount
- Quick set-up, simple operation
- IP 55 rated water and dust resistant housing
- All plug-in connections
- International keypad/display symbols
- Operates on 24 V dc
- Self diagnostics
- Status output for continuous monitoring of system operation
- CE compliant

Fives North American's H6421 web guiding controller combines a convenient operator touch pad with a robust PWM motor drive, in one compact package. Combined with Simplex sensors and actuators, the H6421 provides precise web position control, be it edge guiding, centerguiding, or line following.

Automatic self diagnostics display fault messages to indicate any parameter that is not within boundaries. A status output, which indicates normal controller operation, can be connected to a supervisory system for continuous monitoring.

The H6421's compact size allows flexibility in mounting. It can be flush mounted and placed at the operator's convenience, or it can be mounted directly to the guide structure, providing a fully integrated guiding unit. The H6421 also features IP55 protection classification for dust and water resistance.

H6421 - AMP

FEATURES

- 24 V dc logic inputs for inhibit and servo center
- Operator can adjust guide point using locally or remotely mounted handheld device
- Displays a code to identify system self-diagnostics
 - Detector Inputs--Proper range, shorted or open
 - Actuator--Open or shorted connection, stall condition
 - Power Supplies--Monitors both internal supplies and external supplies to detectors
- A 24 V dc status output indicates normal controller operation
- International symbols on keypad and display
- Operator Adjustments:
 - Automatic
 - Servo Center
 - Manual jog
 - Detector Select--Detector 1, Detector 2, Centerguide
 - Web Setup (Calibrate detector on Web)
 - Gain Adjust
- Display symbols indicate mode of operation

SPECIFICATIONS

Model Numbers: H6421-AMP-00SM (Surface Mount Version)
H6421-AMP-00FM (Flush Mount Version)

Input Power: 24 V dc $\pm 5\%$ at 2.5 amps

Actuator Power Output: 50 watts continuous PWM

Status Indicator Output: 24 V dc at 50 mA maximum

Display Character Size: $\frac{3}{16}$ " (4.7 mm)

Compatible Cables:

- H6420-PWR-15 Power input cable, 15' (4.6 m)
- H6420-RCC-15 External Servo Center/Inhibit cable, 15' (4.6 m)

Allowable Ambient Temperature: 0-50 C (32-122 F)

Power output to Detectors: 15 V dc at 150 mA

Size: $3\frac{9}{32}$ " (83mm) H \times $3\frac{29}{32}$ " (99mm) W \times $4\frac{7}{32}$ " (107mm) D (surface mount version)

Weight: 2.75 lb. (1.25 kg)

Keypad: Tactile feedback membrane

Mounting: Surface or Flush

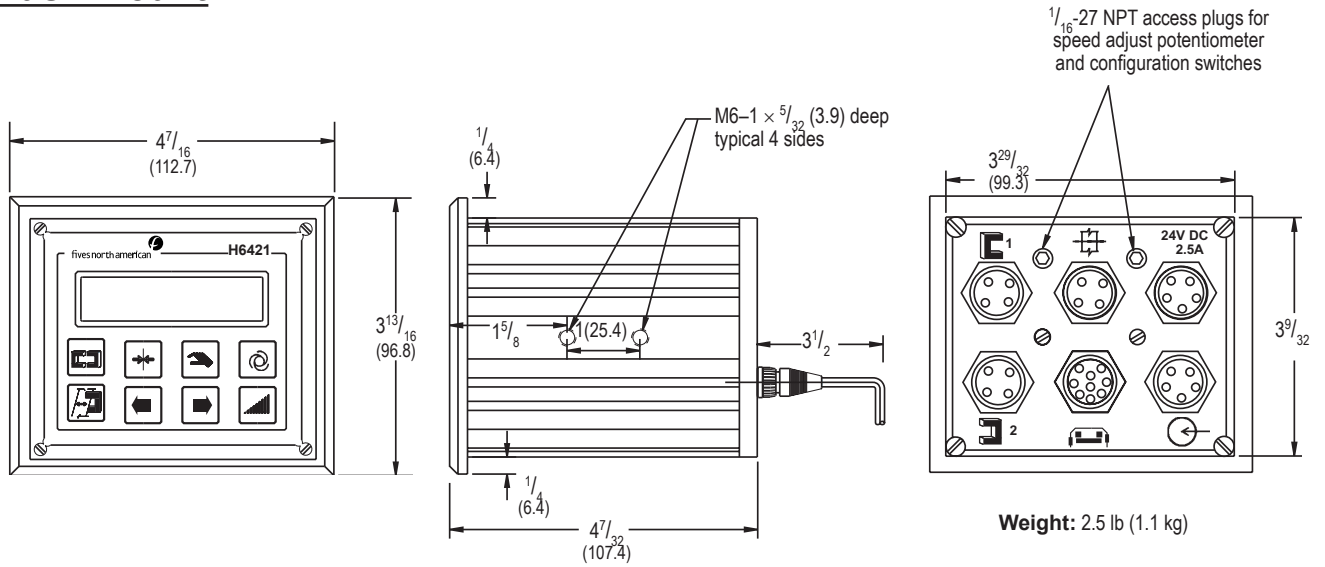
Compatible Actuators

Model	Thrust	Cables	Servo Center Detector
H5530 C	60 lb (267 N)	7' (2.1 m)- H6415-5530C-07 15' (4.6 m)- H6415-5530C-15	EWX-19
H5530 D	150 lb (667 N)	7' (2.1 m)- H6415-5530D-07 15' (4.6 m)- H6415-5530D-15	H3184D-001-CON
H5530 F1	150 lb (667 N)	7' (2.1 m)- H6415-5530F-07 15' (4.6 m)- H6415-5530F-15	H3184F
H5530 F3	300 lb (1.34 kN)	7' (2.1 m)- H6415-5530F-07 15' (4.6 m)- H6415-5530F-15	H3184F

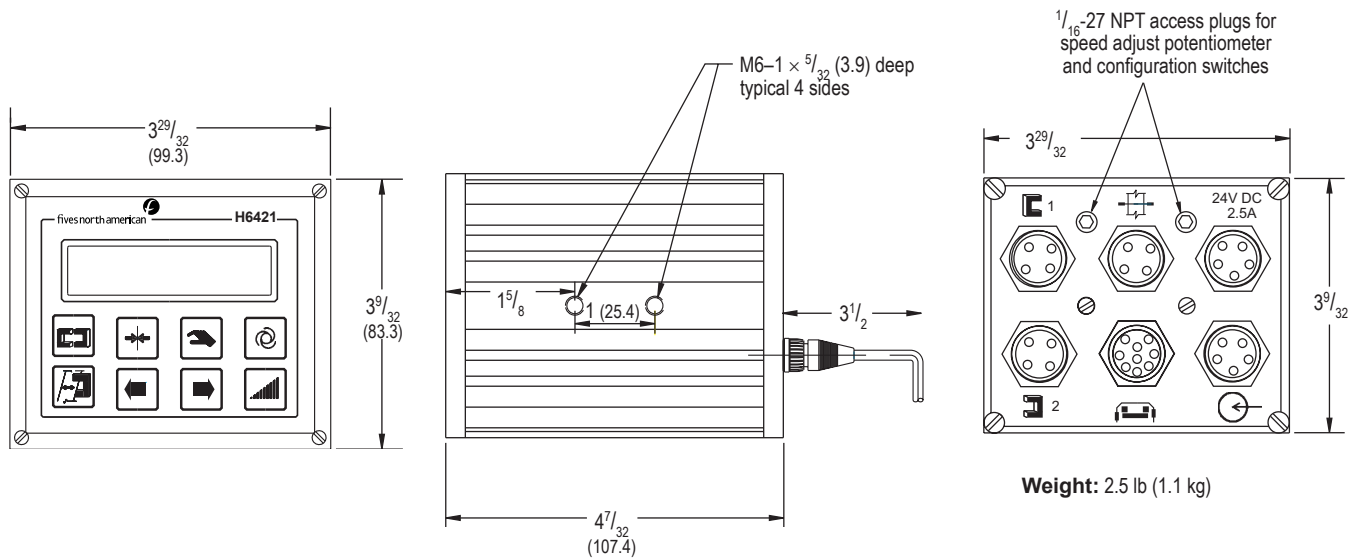
DIMENSIONS

inches (mm)

Flush Mount



Surface Mount



Fives North American...the Clear Choice for Your Web and Strip Guiding Needs.

Offering an extensive array of products, capabilities, and experience, and a dedication to providing services to you for all phases of your guiding requirements, Fives North American is a company you can depend on for the right system for your specific needs.

- **Process Analysis**
- **Application Experience**
- **System Engineering**
- **Extensive Array of Products**
- **Quality Manufacturing**
- **Start-Up Assistance**
- **Parts and Service**
- **In Plant Training**

Guiding Experts Where and When You Need Them.

Fives North American supports your guiding needs by providing experienced application specialists that are readily available to you. FivesNA's direct sales force are among the most knowledgeable in the industry. They have the ability to diagnose individual situations and offer the optimum guiding solution. Working together with an extensive corporate engineering staff, our field office locations across the U.S., Canada, and our international agents are ready to provide a quick response to your needs. Call us and we'll prove it to you!



fives north american

**Fives North American Combustion, Inc.
Guiding Systems**

4455 EAST 71st STREET, CLEVELAND, OH 44105 USA
Tel: 216.271.6000 Fax: 216.641.7852

email: fna.guiding@fivesgroup.com • www.fivesgroup.com/fivesna