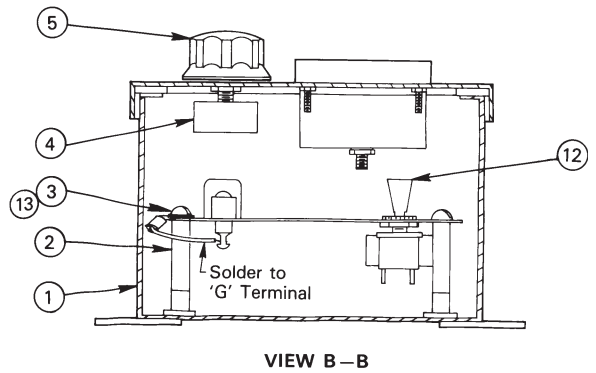
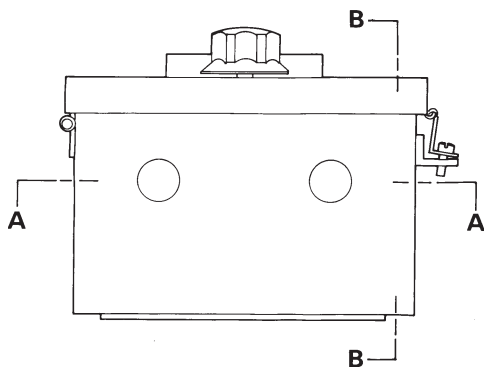
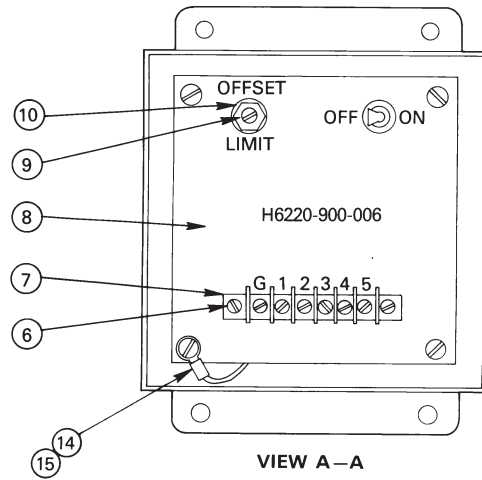
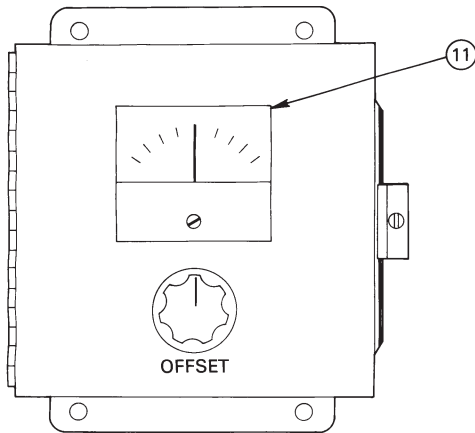


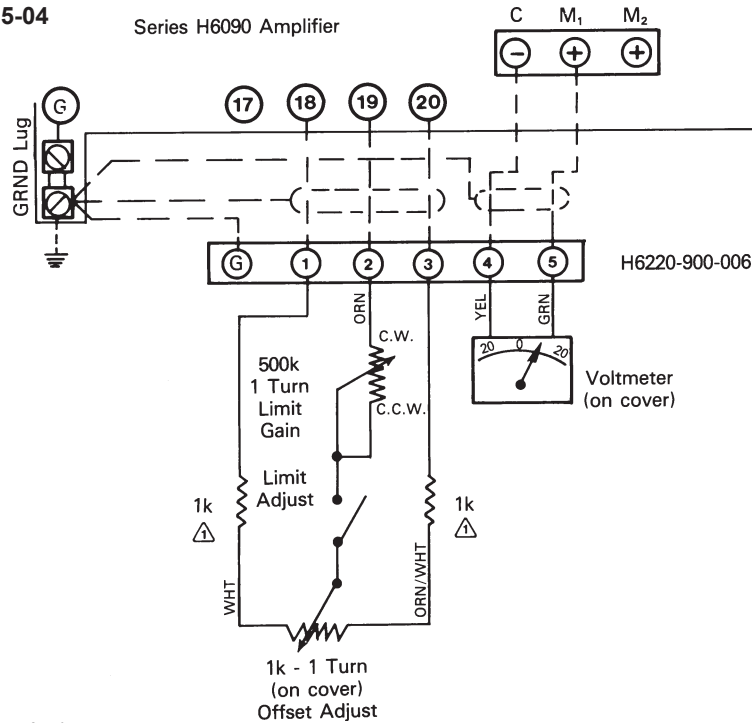
H6220-900-006 OFFSET CONTROL STATION ASSEMBLY

Ref: Dwg. HC6220-900-006
B/M H6200-900-006



WIRING SCHEMATIC FOR H6220-900-006 OFFSET CONTROL STATION WITH SERIES H6090 AMPLIFIER

Ref: Dwg. HA4803-1775-04



NOTES (for both schematics):

1. Earth GRND by customer.
2. For optimum performance connect shield to earth GRND. For normal operation both common and shield can be connected to amplifier GRND.
3. ——— wiring by FivesNA
----- wiring by customer.

WIRING SCHEMATIC FOR H6220-900-006 OFFSET CONTROL WITH SERIES H6142 AMPLIFIERS (FOR CENTER-GUIDE)

Ref: Dwg. HA4803-1846-04

