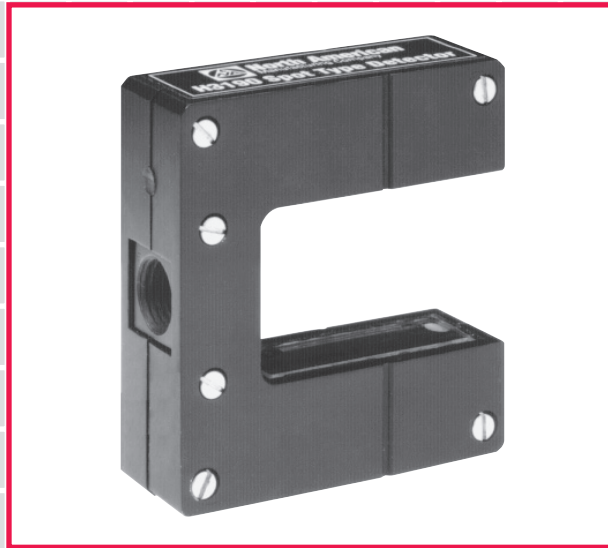


## H3190 Discriminating Detector

Narrow Proportional Band  
for SimPlex™ Electro-Mechanical Guiding Systems



- **Rejects ambient light effects**
- **0.075" (1.9 mm) field of view**
- **1<sup>3</sup>/<sub>16</sub>" (30.1 mm) gap accomodates large plane changes**
- **Plug-in connection for easy installation**
- **Rugged, compact housing**
- **Flush mounted, flat glass lens allows easy cleaning**

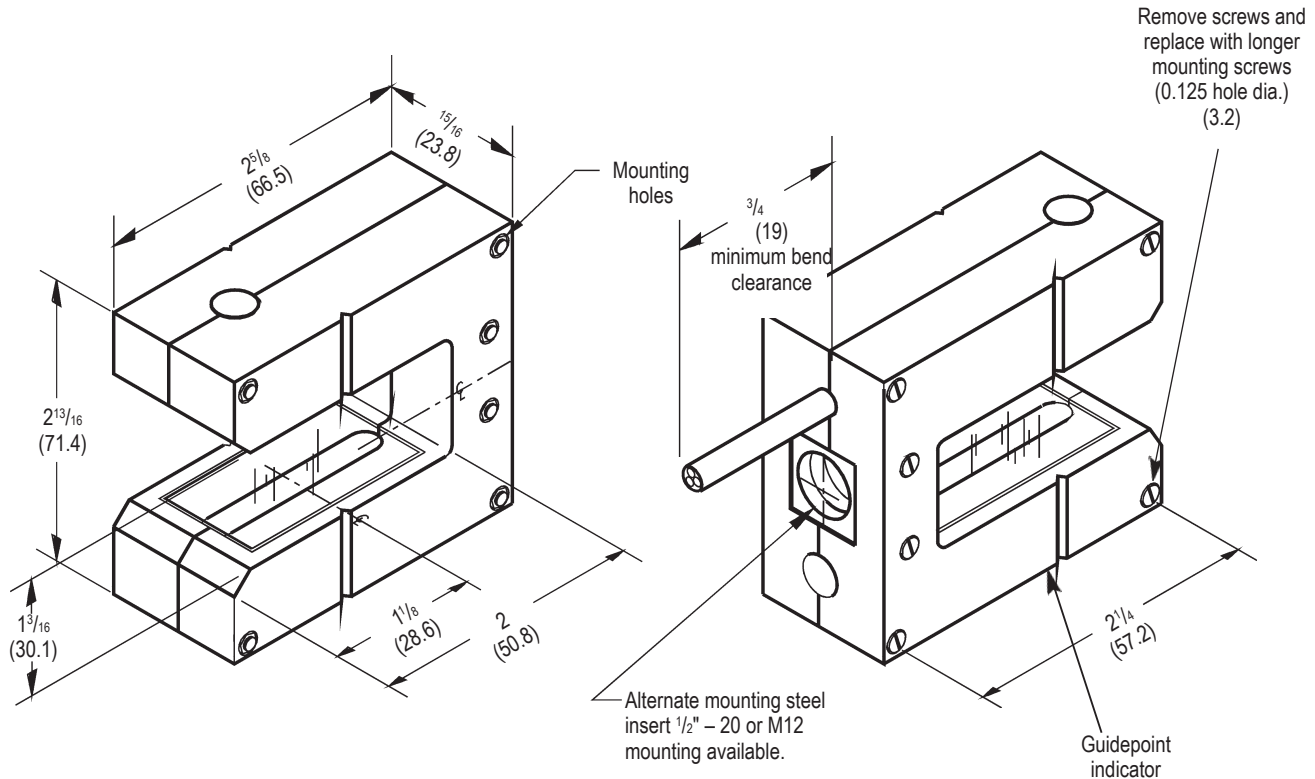
The H3190 is a photoelectric discriminating detector with a narrow field of view. It senses opaque and transparent webs and is used for edge guide applications. Its field of view is ideal for applications with webs or clear films with printing near the edge that might influence detectors with wider fields of view. With a gap of 1<sup>3</sup>/<sub>16</sub>" this detector is well suited to handle the passline changes associated with narrow and medium width webs on intermediate guides.

The H3190 modulation technique allows the detector to discriminate between the web position signal and ambient light interference.

A photodiode is used as the light detector, providing linear response over a small field of view.

Supplied with an integral 7 or 15 foot cable as standard, the H3190 cable plugs directly into the appropriate Fives North American electronic controller.

## DIMENSIONS inches (mm)



DIMENSIONS SHOWN ARE SUBJECT TO CHANGE. PLEASE OBTAIN CERTIFIED PRINTS FROM FIVES NORTH AMERICAN COMBUSTION, INC.  
IF SPACE LIMITATIONS OR OTHER CONSIDERATIONS MAKE EXACT DIMENSION(S) CRITICAL.

## SPECIFICATIONS

**Model Numbers:**

- H3190-6415-07 For use with SimPlex™ controller. Cable length = 7 ft
- H3190-6415-15 For use with SimPlex™ controller. Cable length = 15 ft
- H3190-6400-07 For use with H6400 controller. Cable length = 7 ft
- H3190-6400-15 For use with H6400 controller. Cable length = 15 ft

**Supply Voltage:** 15 V dc (supplied by amplifier)

**Field of view:** 0.075"

**Power consumption:** 200 mW

**Light source:** GaAs LED; 940 nm wavelength (infrared)

**Light receiver:** photodiode

**Compatible web materials:** clear film (0.5 mil minimum thickness) to opaque

**Housing material:** zinc-aluminum

**Lens material:** glass

**Operating temperatures:** 32 to 122 F (0 to 50 C)

**Size:** 1 5/16" (23.8 mm) × 2 5/8" (66.5 mm) × 2 13/16" (71.4) H

**Cable termination:** 4 pin molded circular connector

**Cable lengths:** 7 ft and 15 ft (see Model No. description)

**Gap dimension:** 1 3/16" (30.1 mm)

**Cable extension:** specify P/N H6415-DETEXT-15 for 15 ft cable extension

### Fives North American Combustion, Inc. Guiding Systems

4455 EAST 71st STREET, CLEVELAND, OH 44105 USA  
Tel: 216.271.6000 Fax: 216.641.7852