

H3188 Discriminating Detector

Wide Proportional Band
for SimPlex™ Electro-Mechanical Guiding Systems



- **Rejects ambient light effects**
- **0.8" (20.3 mm) field of view**
- **Plug-in connection for easy installation**
- **Flush mounted flat lens allows easy cleaning**
- **1³/₁₆" (30.1 mm) gap accommodates web plane changes**

The H3188 is a photoelectric discriminating detector, capable of sensing opaque and transparent webs and is used for both edge and center-guide systems. In center-guide applications, two detectors allow a web width variation of up to 1/2" (12.7 mm) from a fixed centerline position without manually shifting the detectors.

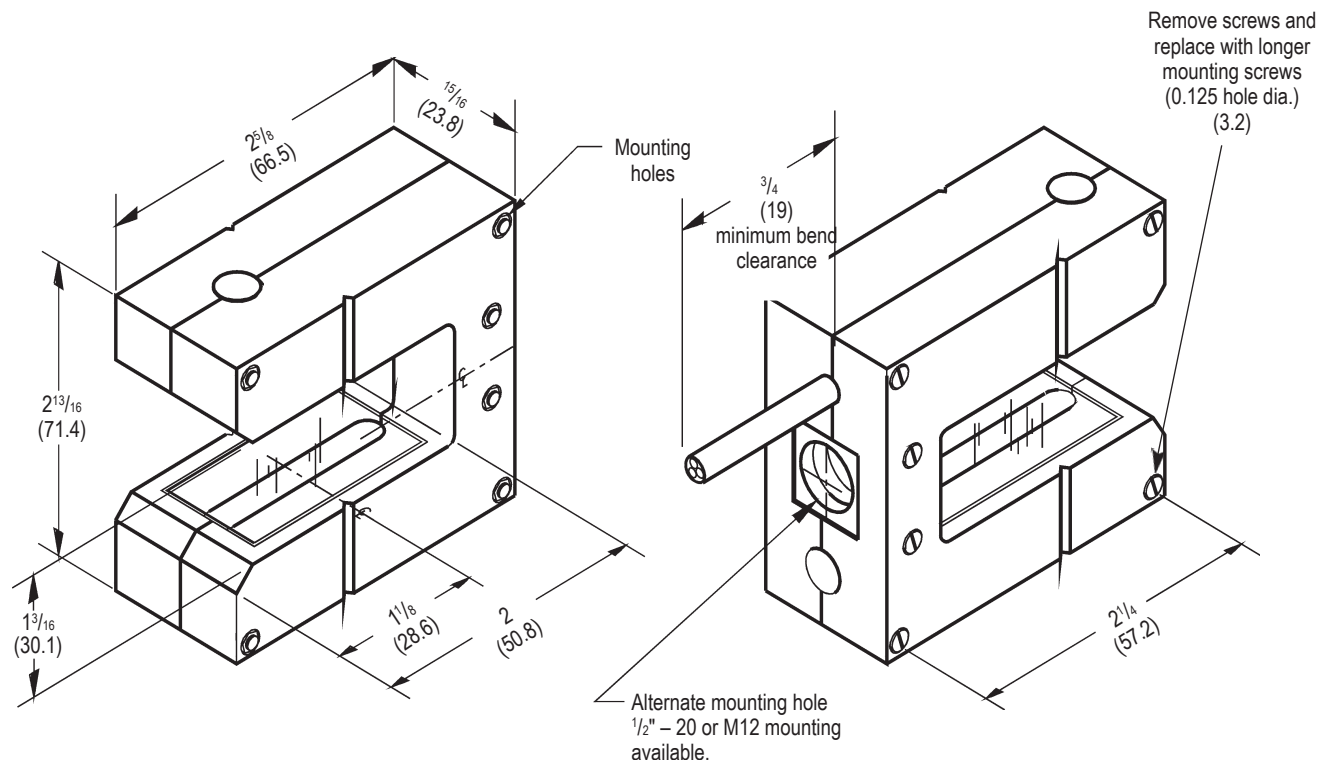
The H3188 modulation technique allows detector and amplifier systems to discriminate between the web position signal and ambient light interference.

The lens is easily cleaned with a soft cloth and/or glass cleaner.

The H3188 cable plugs directly into the appropriate Fives North American electronic controller.

DIMENSIONS

inches (mm)



DIMENSIONS SHOWN ARE SUBJECT TO CHANGE. PLEASE OBTAIN CERTIFIED PRINTS FROM FIVES NORTH AMERICAN COMBUSTION, INC.
IF SPACE LIMITATIONS OR OTHER CONSIDERATIONS MAKE EXACT DIMENSION(S) CRITICAL.

SPECIFICATIONS

Model Numbers:

- H3188-6415-07 For use with SimPlex™ controller. Cable length = 7 ft. (2.1 m)
- H3188-6415-15 For use with SimPlex™ controller. Cable length = 15 ft. (4.6 m)
- H3188-6400-07 For use with H6400 controller. Cable length = 7 ft. (2.1 m)
- H3188-6400-15 For use with H6400 controller. Cable length = 15 ft. (4.6 m)

Supply Voltage: 15 V dc (supplied by amplifier)

Output voltage: 2.5 V dc at full light

Field of view: 0.8" (20.3 mm) minimum

Power consumption: 300 mW

Light source: GaAs LED; 640 nm wavelength; approx.
100,000 hours life

Compatible web materials: clear film [0.5 (.013 mm) mil
minimum thickness] to opaque

Housing material: zinc-aluminum

Lens material: glass

Operating temperatures: 32 to 122 F (0 to 50 C)

Size: 1 5/16" (23.8) W × 2 5/8" (66.5) L × 2 13/16" (71.4) H

Cable termination: 4 pin molded circular connector

Cable lengths: 7 ft (2.1 m) and 15 ft (4.6 m) [see Model No.
description]

Gap dimension: 1 3/16" (30.1 mm)

Cable extension: specify P/N H6415-DETEXT-15 for
15 ft (4.6 m) cable extension

Fives North American Combustion, Inc. Guiding Systems

4455 EAST 71st STREET, CLEVELAND, OH 44105-5600 USA
Tel: 216.271.6000 Fax: 216.641.7852

email: fna.guiding@fivesgroup.com • www.fivesgroup.com/fivesna