

## H3194-RMT

### H3194 Remote Bar Graph Display



- Shows web position in H3194-306-04 Eagle Eye field of view
- Allows the operator to remotely adjust the guide point of the Eagle Eye
- Can be used with a PLC to store and recall web-specific H3194 settings
- Plug-in connections

The H3194-RMT serves as a remote user interface in applications where the H3194-306-04 Eagle Eye detector is mounted in an inconvenient or inaccessible location. It provides a visual indication of the Eagle Eye's LED display. In addition to the display, the H3194-RMT provides a "Guide Point In/Out" adjust function identical to the one already provided on the Eagle Eye.

The H3194-RMT can be configured for operation with a SimPlex™ amplifier, a programmable logic controller (PLC), or both.

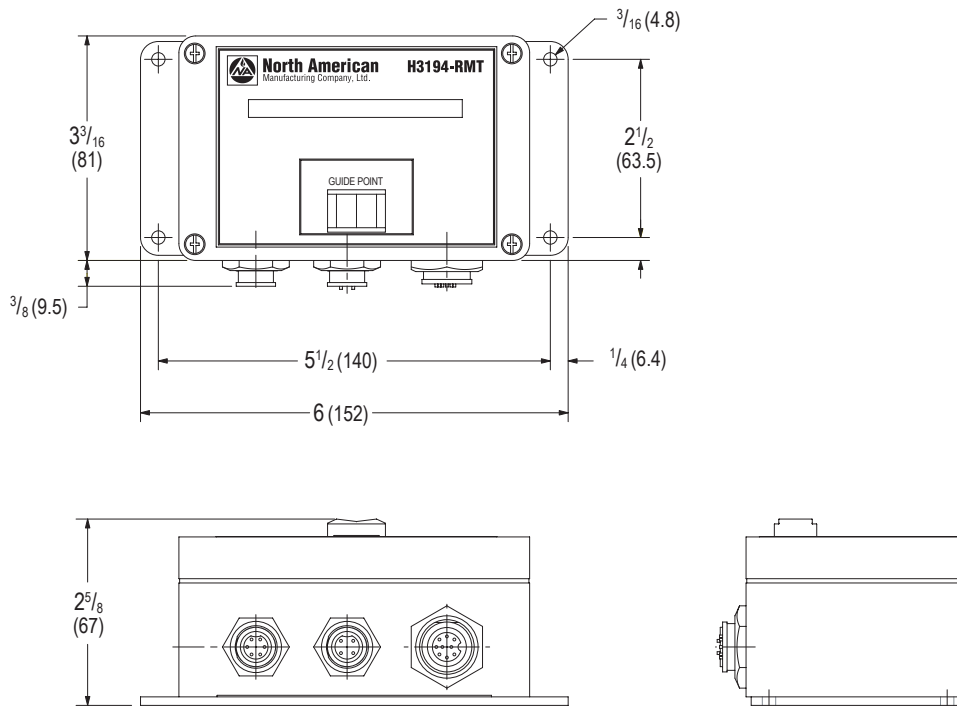
When used with a SimPlex amplifier, the H3194-RMT provides remote guide point adjustment capability as well as a visual indication of the web position. Featuring plug-in cables, the H3194-RMT easily connects in series with the H3194-306-04 Eagle Eye detector. (Note: The H3194-RMT is NOT compatible with the H3194-306-01, -02, or -03 detectors.)

When connected to a PLC only, the H3194-RMT provides the analog web position for control strategies implemented in the PLC. The PLC can also be used to store and retrieve web-specific H3194 settings.

When used with a PLC and a SimPlex amplifier, the SimPlex amplifier is used for web guiding control and the PLC is used to store and retrieve H3194 settings.

## DIMENSIONS

inches (mm)



DIMENSIONS SHOWN ARE SUBJECT TO CHANGE. PLEASE OBTAIN CERTIFIED PRINTS FROM FIVES NORTH AMERICAN COMBUSTION, INC. IF SPACE LIMITATIONS OR OTHER CONSIDERATIONS MAKE EXACT DIMENSION(S) CRITICAL.

## SPECIFICATIONS

### Model Numbers:

H3194-RMT-00	H3194 Remote Bar Graph Display
H3194RMT-SimPlex-15	15 foot cable, H3194-RMT to SimPlex™ Controller
H3194RMT-PLC-15	15 foot cable, H3194-RMT to PLC (PLC end un-terminated)
H3194RMT-3194-15	15 foot cable, H3194-RMT to H3194-306-04 Eagle Eye detector

Ambient Temperature: 32-122 F (0-50 C)

Power Requirement: 15-24 V dc at 0.45 watts (can be provided by SimPlex controller)

Input Signal: 0-2.5 V dc or ±10 V dc, switch selectable

Number of bar graph segments: 30

Resolution: 0.150" (3.81mm)

Housing Material: Aluminum

Dimensions: 6" L × 3 3/8" W × 2 5/8" H

Weight: 1.1 lb (0.51 kg)

Housing Seal Rating: IP64

## Fives North American Combustion, Inc. Guiding Systems

4455 EAST 71st STREET, CLEVELAND, OH 44105 USA

Tel: 216.271.6000 Fax: 216.641.7852

email: [fna.guiding@fivesgroup.com](mailto:fna.guiding@fivesgroup.com) • [www.fivesgroup.com/fivesna](http://www.fivesgroup.com/fivesna)