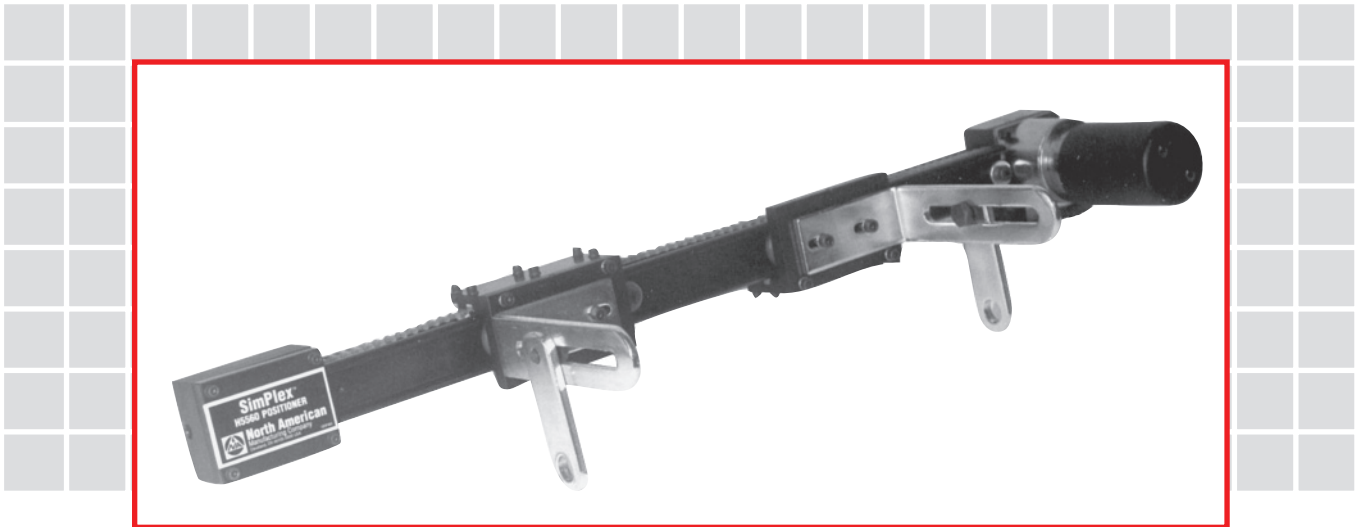


SimPlex™ H5560 Positioner



- **Compact**
- **Sturdy lightweight design**
- **Single or dual detector capability**
- **Automated or manual positioning ability**

The family of SimPlex H5560 positioners is lightweight, strong, and compact. It is compatible with a variety of Fives North American's "C" shaped detectors, both photoelectric and ultrasonic.

The H5560 has been designed for field positioning or it can be mounted to FivesNA's HDNC/HSNC, HDD8, HDE20, HDCE and HDCF series of guides.

Series H5560-EG positioners, available in several lengths, are used to position a single edge detector. The H5560-EGS model is used for chasing applications, with contact closure retract capability.

The H5560-CG positioners are used to simultaneously position two edge detectors about the centerline of the process. When used with amplifier H6415-AMP-POS, the H5560-CGS positioner will automatically reposition the detectors as the width of the web varies. Manually-operated detector positioning is achieved with the H6460-DRV-01 and externally-connected switches.

SPECIFICATIONS

Travel Speed: 1inch/sec. (25 mm/sec)

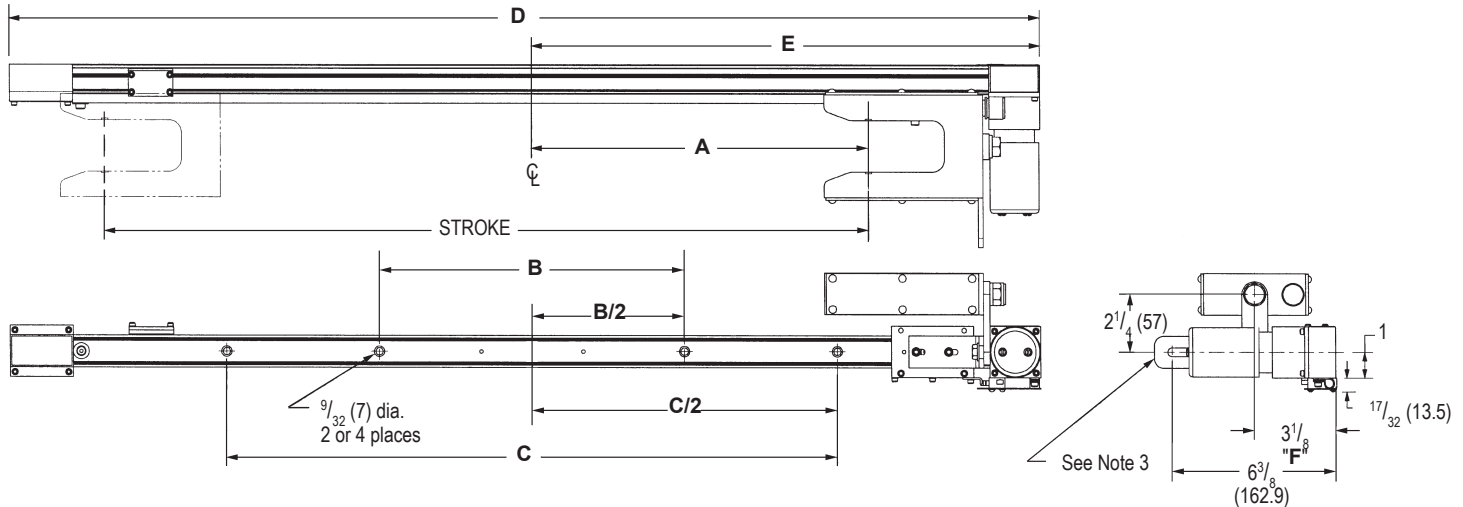
Power Supply: H6460-DRV-01 for manual detector positioning
H6415-AMP-POS for automated width chasing systems

Please refer to specific bulletins for the above power supplies.

H5560 EDGE GUIDE

DIMENSIONS

inches (mm)



Model No.	Stroke	A See Note 2	B	C	D	E
H5560-EG/EGS-12	12 (305)	4 (102)	6 (152)	–	22 1/2 (504)	11 (279)
H5560-EG/EGS-18	18 (381)	7 (178)	12 (305)	–	28 1/2 (648)	14 (356)
H5560-EG/EGS-24	24 (610)	10 (254)	12 (305)	18 (452)	34 1/2 (876)	17 (432)
H5560-EG/EGS-30	30 (762)	13 (330)	12 (305)	24 (610)	40 1/2 (1029)	20 (508)
H5560-EG/EGS-36	36 (914)	16 (406)	12 (305)	30 (762)	46 1/2 (1181)	23 (584)
H5560-EG/EGS-42	42 (1067)	19 (483)	12 (305)	36 (914)	52 1/2 (1334)	26 (660)
H5560-EG/EGS-48	48 (1219)	22 (508)	12 (305)	42 (1067)	58 1/2 (1486)	29 (737)
H5560-EG/EGS-60	60 (1524)	28 (711)	12 (305)	54 (1372)	70 1/2 (1791)	35 (889)
H5560-EG/EGS-72	72 (1829)	34 (864)	12 (305)	66 (1676)	82 1/2 (2096)	41 (1041)
H5560-EG/EGS-84	84 (2134)	40 (1016)	12 (305)	78 (1981)	94 1/2 (2400)	47 (1194)
H5560-EG/EGS-96	96 (2438)	46 (1168)	12 (305)	90 (2286)	106 1/2 (2705)	53 (1346)

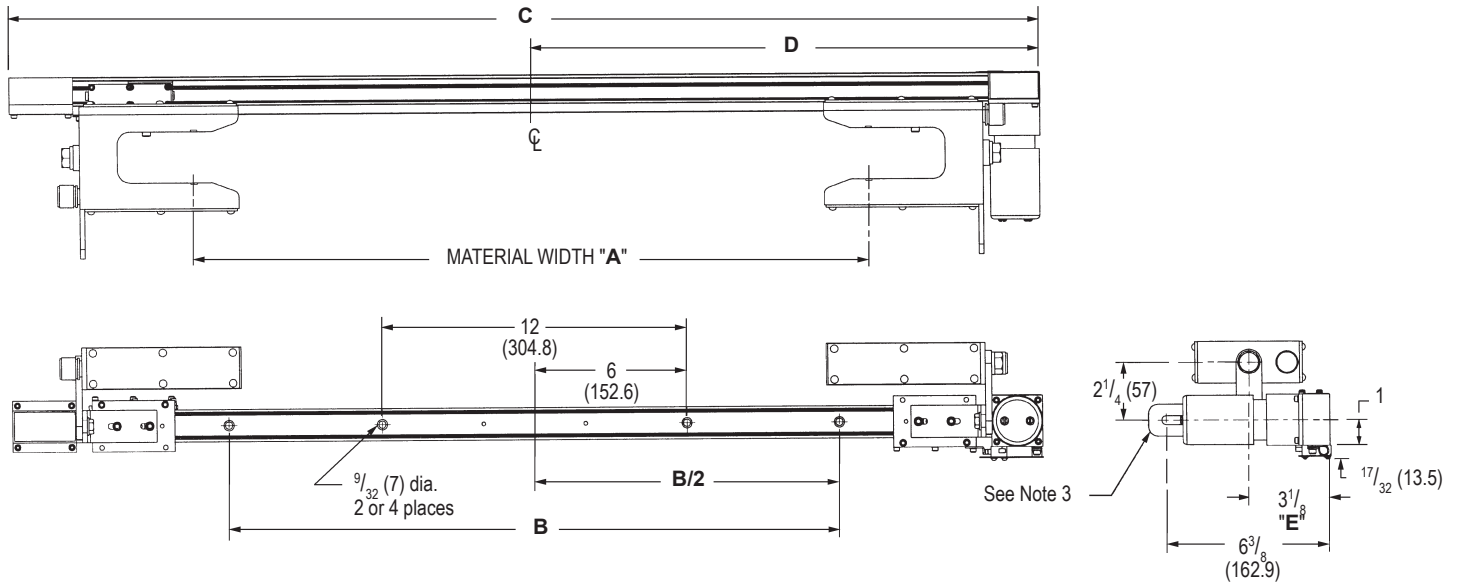
NOTES:

- H3111 detector shown.
- Increase "A" dim. by 1" (25 mm) for H3144 detector.
 Increase "A" dim. by 2 7/16" (62 mm) for H3303 detector.
 Increase "A" dim. by 2 7/8" (73 mm) for H3188/H3190 detectors.
 Increase "A" dim. by 1 5/8" (41 mm) for H3304 detector.
 H3111/H3144 detectors have a 2" (51 mm) gap, 3" (76 mm) throat.
 H3188/H3190 detectors have a 1 3/16" (30 mm) gap, 2" (51 mm) throat.
 H3303 detector has a 2" (51 mm) gap, 1 9/16" (40 mm) throat.
 H3304 detector has a 4" (102 mm) gap, 2 7/16" (62 mm) throat.
- Detector bracket has 3/16" (82 mm) adjustment.
 Dimension F = 4 1/8" (105 mm) with 4" (102 mm) detector gap
 Dimension F = 5 1/8" (130 mm) with 6" (152 mm) detector gap
- For complete dimensions on detectors, contact Fives North American for product bulletins.

H5560 CENTER GUIDE

DIMENSIONS

inches (mm)



Model No.	A See Note 2	B	C	D
H5560-CG/CGS-8	8 (203)	–	22 ¹ / ₂ (504)	11 (279)
H5560-CG/CGS-14	14 (356)	–	28 ¹ / ₂ (648)	14 (356)
H5560-CG/CGS-20	20 (508)	18 (452)	34 ¹ / ₂ (876)	17 (432)
H5560-CG/CGS-26	26 (660)	24 (610)	40 ¹ / ₂ (1029)	20 (508)
H5560-CG/CGS-32	32 (813)	30 (762)	46 ¹ / ₂ (1181)	23 (584)
H5560-CG/CGS-38	38 (965)	36 (914)	52 ¹ / ₂ (1334)	26 (660)
H5560-CG/CGS-44	44 (1118)	42 (1067)	58 ¹ / ₂ (1486)	29 (737)
H5560-CG/CGS-56	56 (1422)	54 (1372)	70 ¹ / ₂ (1791)	35 (889)
H5560-CG/CGS-68	68 (1727)	66 (1676)	82 ¹ / ₂ (2096)	41 (1041)
H5560-CG/CGS-80	80 (2032)	78 (1981)	94 ¹ / ₂ (2400)	47 (1194)
H5560-CG/CGS-92	92 (2337)	90 (2286)	106 ¹ / ₂ (2705)	53 (1346)

NOTES:

- H3111 detector shown.
- Increase "A" dim. by 2" (51 mm) for H3144 detector.
 Increase "A" dim. by 5" (127 mm) for H3303 detector.
 Increase "A" dim. by 6" (152 mm) for H3188/H3190 detectors.
 Increase "A" dim. by 3¹/₄" (83 mm) for H3304 detector.

 H3111/H3144 detectors have a 2" (51 mm) gap, 3" (76 mm) throat.
 H3188/H3190 detectors have a 1³/₁₆" (30 mm) gap, 2" (51 mm) throat.
 H3303 detector has a 2" (51 mm) gap, 1⁹/₁₆" (40 mm) throat.
 H3304 detector has a 4" (102 mm) gap, 2⁷/₁₆" (62 mm) throat.
- Detector bracket has 3¹/₄" (82 mm) adjustment.
 Dimension E = 4¹/₈" (105 mm) with 4" (102 mm) detector gap
 Dimension E = 5¹/₈" (130 mm) with 6" (152 mm) detector gap
- For complete dimensions on detectors, contact Fives North American for product bulletins.

Fives North American...the Clear Choice for Your Web and Strip Guiding Needs.

Offering an extensive array of products, capabilities, and experience, and a dedication to providing services to you for all phases of your guiding requirements, Fives North American is a company you can depend on for the right system for your specific needs.

- **Process Analysis**
- **Application Experience**
- **System Engineering**
- **Extensive Array of Products**
- **Quality Manufacturing**
- **Start-Up Assistance**
- **Parts and Service**
- **In Plant Training**

Guiding Experts Where and When You Need Them.

Fives North American supports your guiding needs by providing experienced application specialists that are readily available to you. FivesNA's direct sales force is among the most knowledgeable in the industry. We have the ability to diagnose individual situations and offer the optimum guiding solution. Working together with an extensive corporate engineering staff, our field office locations across the U.S., Canada, and our international agents are ready to provide a quick response to your needs. Call us and we'll prove it to you!



fives north american

**Fives North American Combustion, Inc.
Guiding Systems**

4455 EAST 71st STREET, CLEVELAND, OH 44105 USA
Tel: 216.271.6000 Fax: 216.641.7852

email: fna.guiding@fivesgroup.com • www.fivesgroup.com/fivesna