

Fives North American...the Clear Choice for Your Web and Strip Guiding Needs.

Offering an extensive array of products, capabilities, and experience, and a dedication to providing services to you for all phases of your guiding requirements, Fives North American is a company you can depend on for the right system for your specific needs.

- **Process Analysis**
- **Application Experience**
- **System Engineering**
- **Extensive Array of Products**
- **Quality Manufacturing**
- **Start-Up Assistance**
- **Parts and Service**
- **In Plant Training**

Guiding Experts Where and When You Need Them.

Fives North American supports your guiding needs by providing experienced application specialists that are readily available to you. FivesNA's direct sales force are among the most knowledgeable in the industry. They have the ability to diagnose individual situations and offer the optimum guiding solution. Working together with an extensive corporate engineering staff, our field office locations across the U.S., Canada, and our international agents are ready to provide a quick response to your needs. Call us and we'll prove it to you!



**Fives North American Combustion, Inc.
Guiding Systems**

4455 EAST 71st STREET, CLEVELAND, OH 44105 USA
Tel: 216.271.6000 Fax: 216.641.7852

email: fna.guiding@fivesgroup.com - www.fivesgroup.com/fivesna

FNA 2-04-B10191-7.00

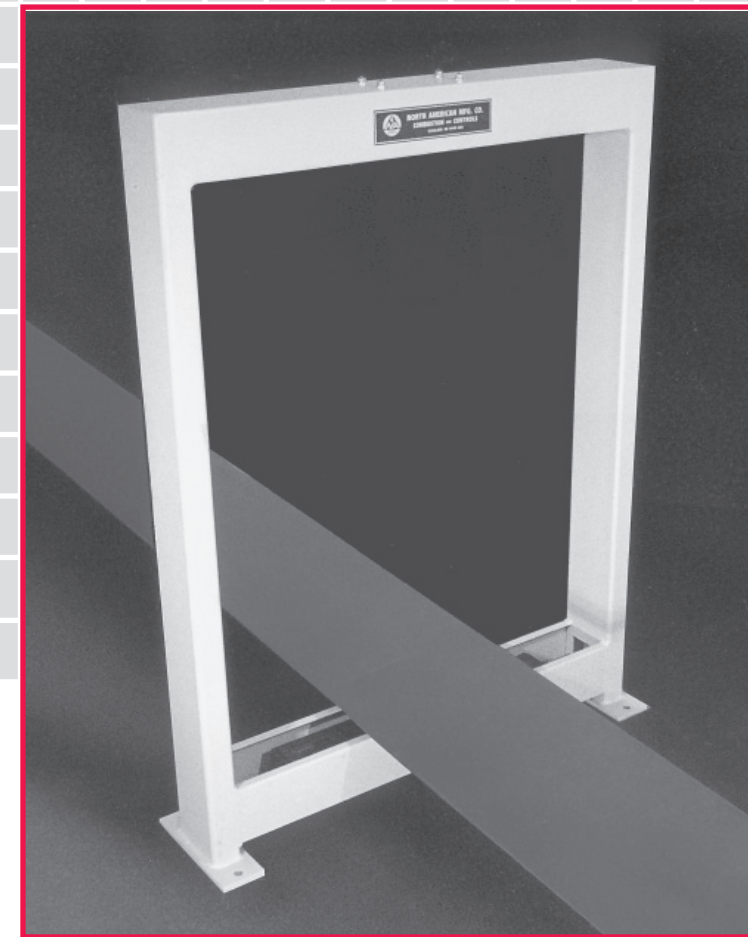


BULLETIN ¹⁰¹⁹¹
Bul. 7.00

GUIDING SYSTEMS

August 1998

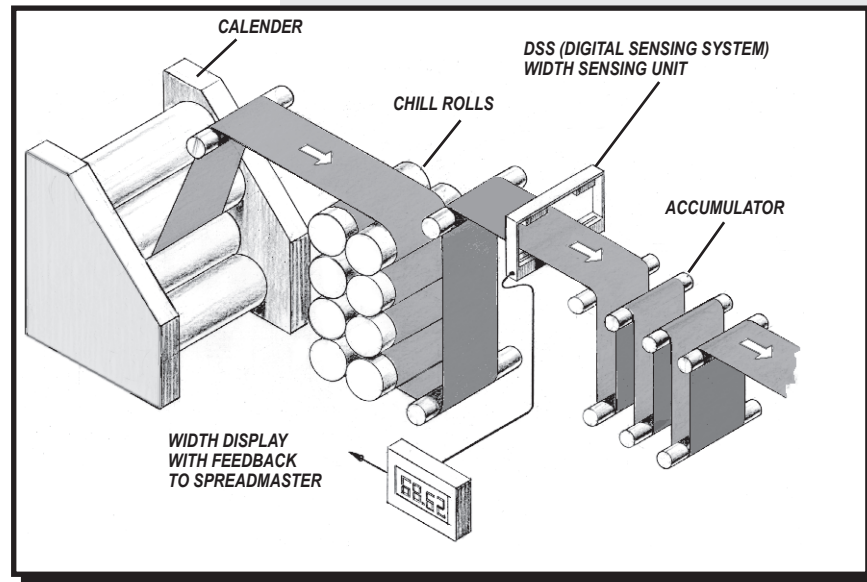
Width Measurement/Control for the Tire and Rubber Industry



Fives North American's state-of-the-art digital sensing technology.
Solving the width control and measurement challenges
of the tire and rubber industry.

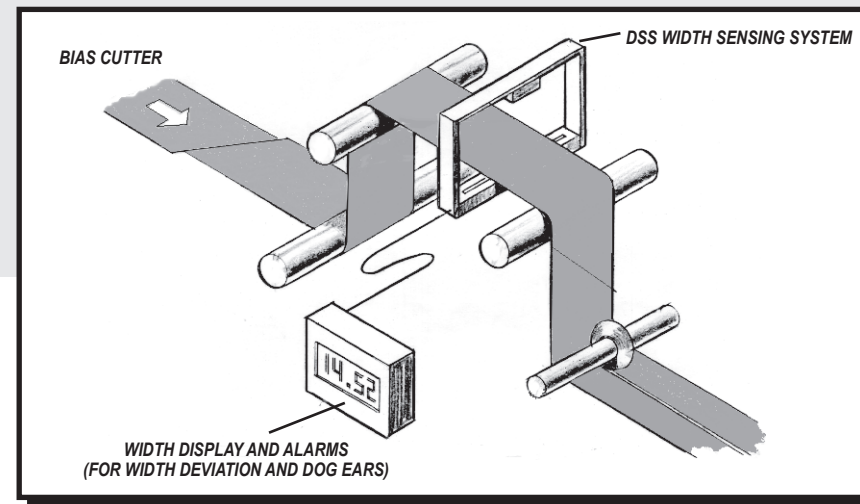
WIDTH MEASUREMENT/CONTROL APPLICATIONS for the Tire and Rubber Industry

The presentations on these pages represent a sampling of applications that have successfully employed Fives North American's Digital Sensing System (DSS) for width measurement and/or control.



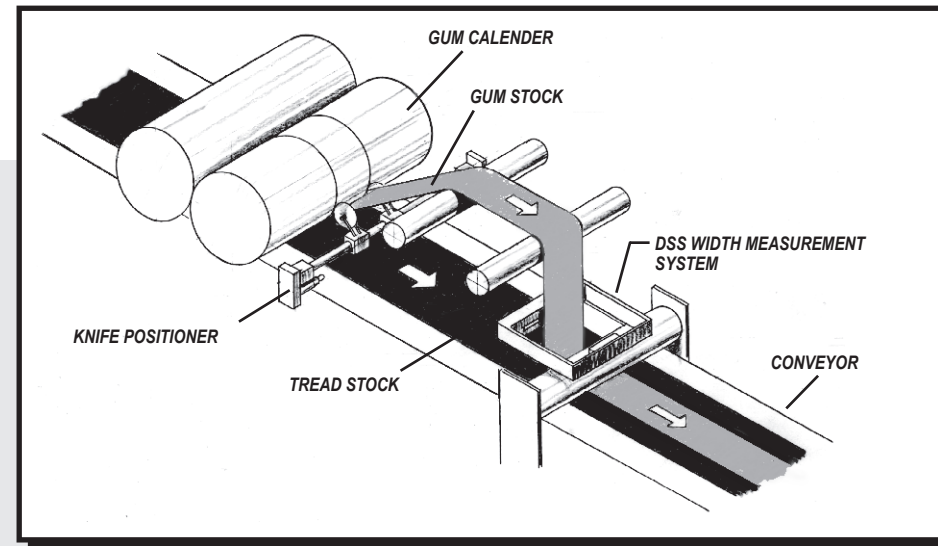
On-line width measurement/control of calendered fabric

Application detail - Digital non-contact width measurement of calendered fabric. Available with closed loop control via North American's automatic fabric Spreadmaster® system prior to calender.



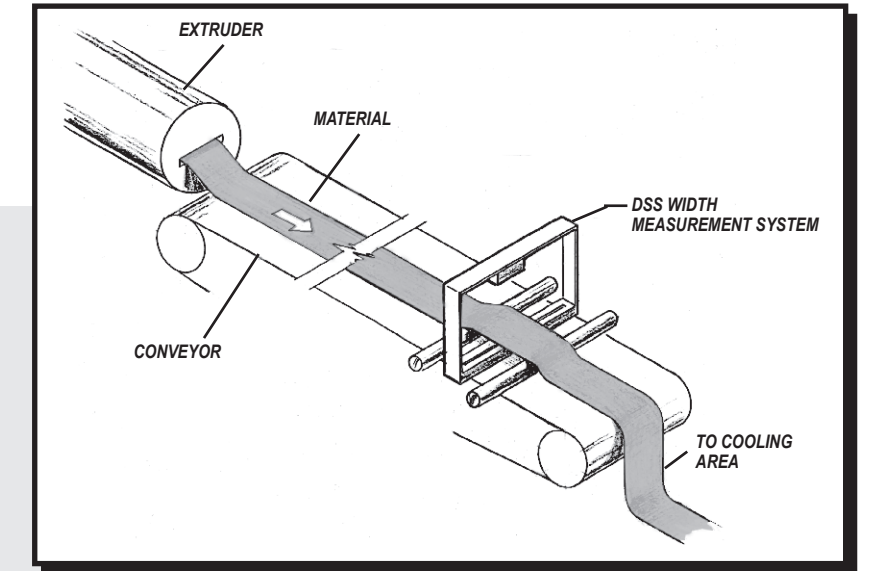
Width measurement/"dog ear" detection system for bias cutters

Application detail - Constant width monitoring with display and alarm contacts for "dog ear" out of width conditions.



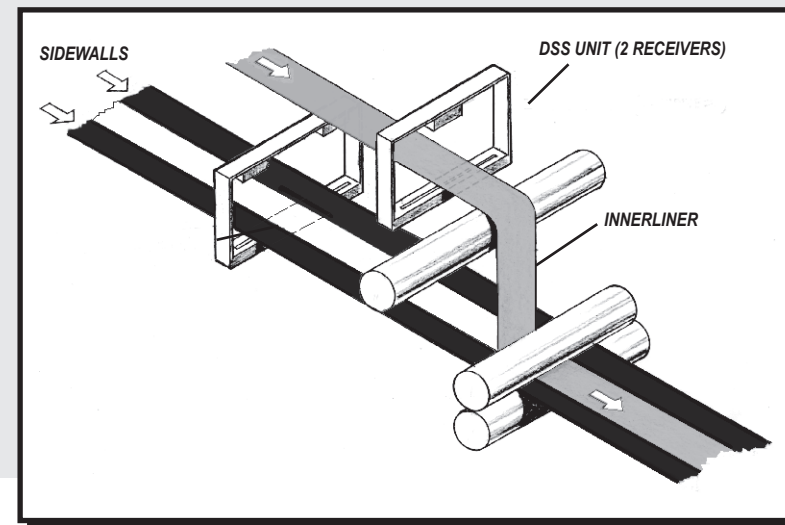
Width measurement/control of gum stock from gum calender

Application detail - Digital measurement with display of gum stock width downstream of calender with available automatic knife positioning system to maintain control width.



Width measurement/control of extruded products

Application detail - Non-contact digital width measurement of extruded material downstream of extruder with output signal available to control conveyor speed. Also applied at windup/cut area to assure quality and monitor pulldown in cooling.



Width inspection of components prior to assembly

Application detail - Width monitor with alarms for material prior to assembly.

FEATURES

- Easy setup/calibration
- Automatic compensation for dirt
- Local and/or remote digital readouts
- Serial port output for datalog
- Alarms for over/under widths and/or large holes
- Typical accuracy $\pm 0.005"$ ($\pm 0.13\text{mm}$)
- Can be used as a guiding system detector
- Simple non-critical installation
- Relatively low cost
- Custom mounting available on request
- Meets requirements for statistical quality control programs

Contact your Fives North American field application specialist for an on-site evaluation and quotation for your specific application needs.