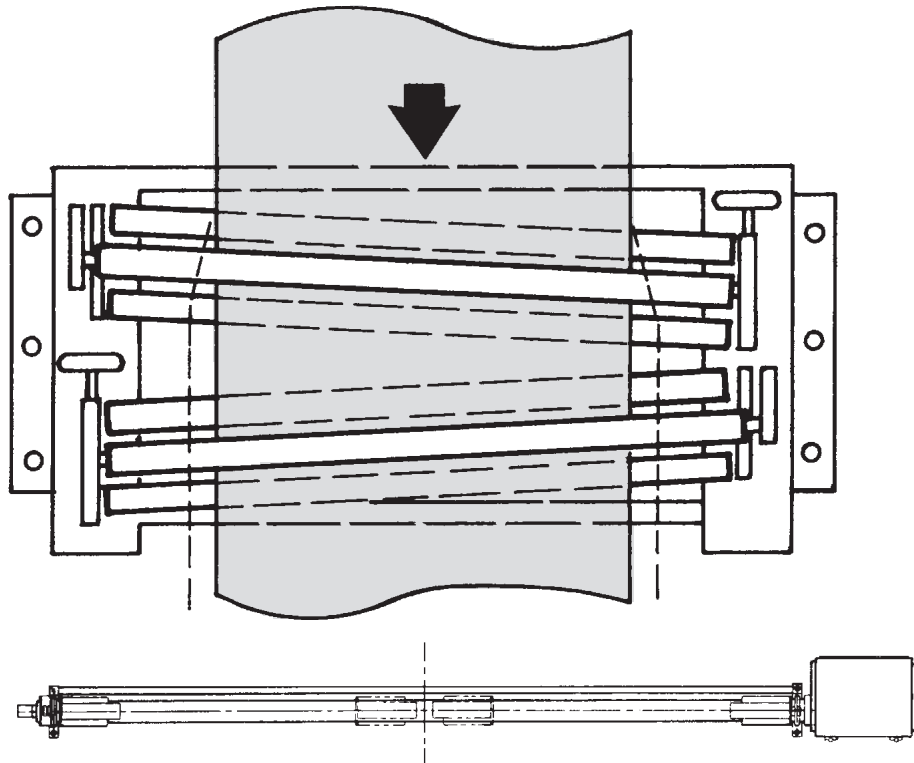


**SpreadMaster® MODEL HST-644 SPREADING ASSEMBLY
FULL WIDTH STRAIGHT ROLLS**



SpreadMaster

Model HST-644 Spreading Assembly
Roll diameter: 4.0"
Roll face: 72 or 80"
Stainless steel finish
Linear position transducers
Programmable motorized detector positioning
Tension: 30,000 lb maximum

**Fives North American Combustion, Inc.
Guiding Systems**

4455 EAST 71st STREET, CLEVELAND, OH 44105 USA

Tel: 216.271.6000 Fax: 216.641.7852

email: fna.guiding@fivesgroup.com • www.fivesgroup.com/fivesna