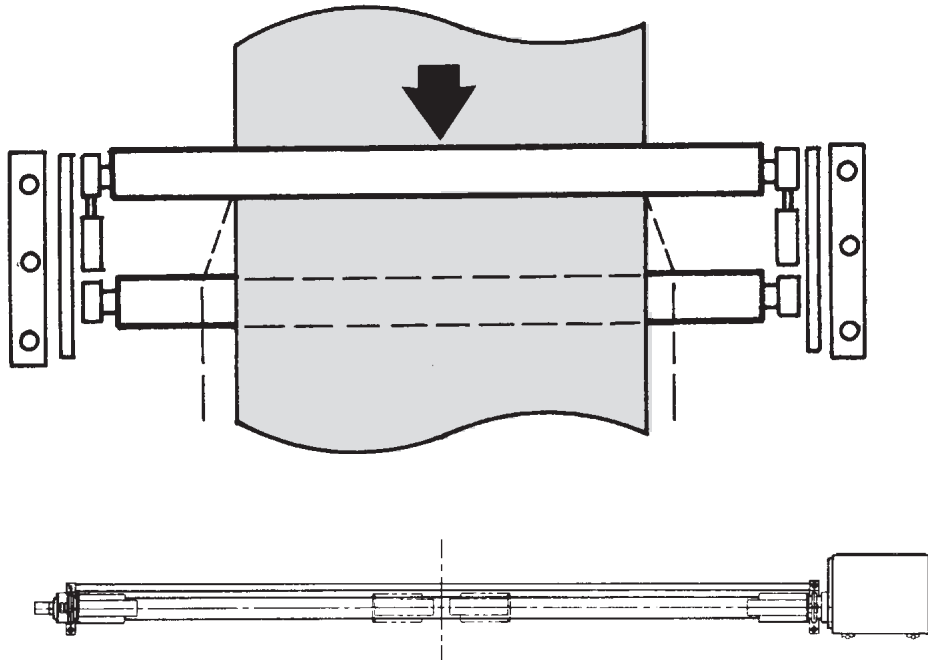


**SpreadMaster® MODEL HSM-245 SPREADING ASSEMBLY
LOW TENSION, SPLIT SHAFT, BOWED ROLL SPREADER**



SpreadMaster

Model HSM-245 Spreading Assembly
Roll diameter: 4.5"
Roll face: 72 or 80"
Split shaft bowed rollers
Linear position transducers
Programmable motorized detector positioning
Tension: 1,200 lb maximum (544 kg)

**Fives North American Combustion, Inc.
Guiding Systems**

4455 EAST 71st STREET, CLEVELAND, OH 44105 USA

Tel: 216.271.6000 Fax: 216.641.7852

email: fna.guiding@fivesgroup.com • www.fivesgroup.com/fivesna