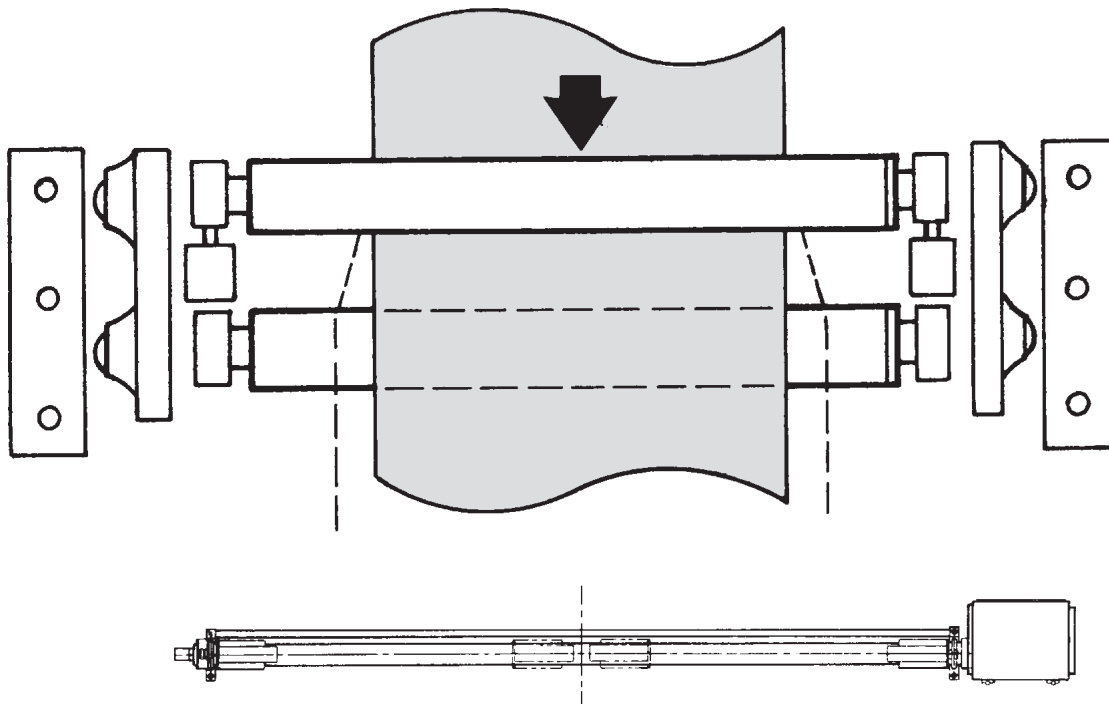


**SpreadMaster® MODEL HSM-263 SPREADING ASSEMBLY
HIGH TENSION, SPLIT SHAFT, BOWED ROLL SPREADER**



SpreadMaster

Model HSM-263 Spreading Assembly
Roll diameter: 6.3"
Roll face: 72 or 80"
Split shaft bowed rollers
Linear position transducers
Programmable motorized detector positioning
Tension: 7,000 lb maximum (3180 kg)

**Fives North American Combustion, Inc.
Guiding Systems**

4455 EAST 71st STREET, CLEVELAND, OH 44105 USA
Tel: 216.271.6000 Fax: 216.641.7852

email: fna.guiding@fivesgroup.com • www.fivesgroup.com/fivesna