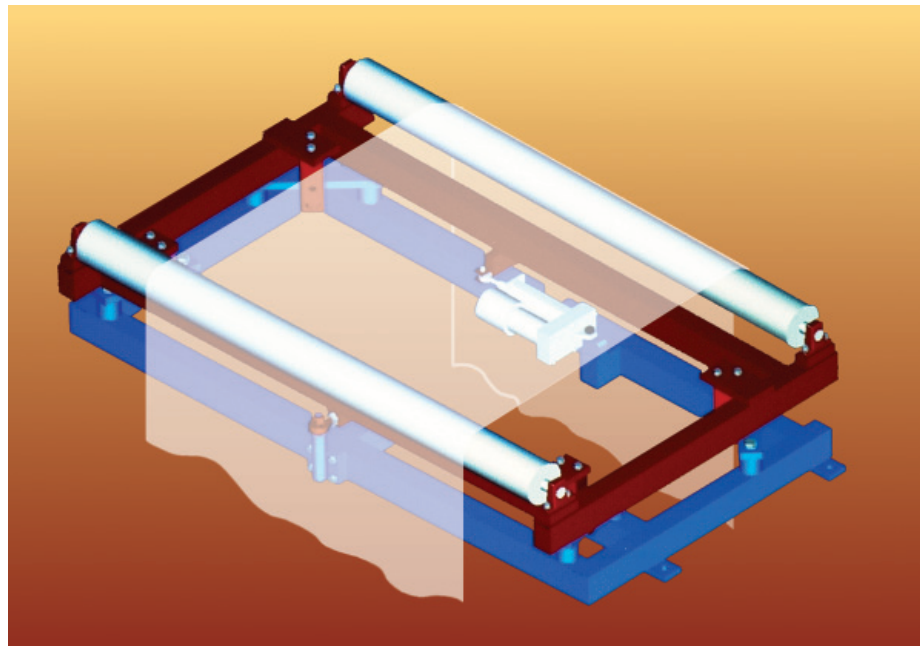


SimPlex™ Displacement Guides



	Load lbf	dimensions in inches			Correction	Actuator	Servo center
		Roll dia.	Roll face	Guide span			
HDNC	400	2-5	10-24	9-24	±1	H5530C	EWX-1.19
HDD8	800	3-6	30-60	16-48	±1.5	H5530F	H3184
HDGE	2000	4-8	30-96	32-96	±2	H5530F	H3184
HDGF	4000	4-12	36-180	36-120	±2.5	H5530H-S	H3184

Load includes roll weight and strip tension.

**Fives North American Combustion, Inc.
Guiding Systems**

4455 EAST 71st STREET, CLEVELAND, OH 44105 USA
Tel: 216.271.6000 Fax: 216.641.7852

email: fna.guiding@fivesgroup.com - www.fivesgroup.com/fivesna