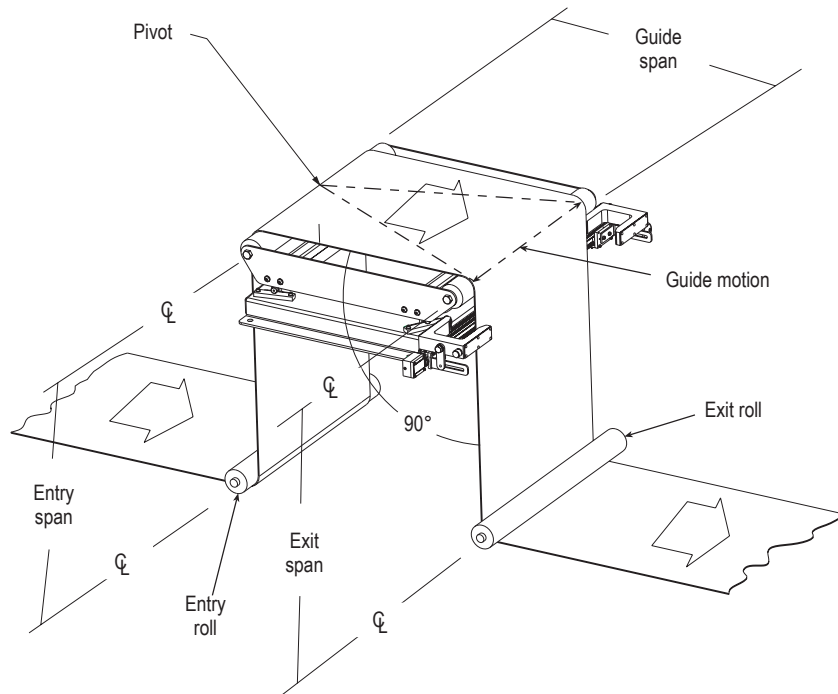


TYPICAL DISPLACEMENT GUIDE ARRANGEMENT



A displacement guide is used when a sufficiently long entry span is not available. The entry/exit rolls are fixed. The guide rollers pivot on a common frame with a fixed pivot point at the entry roll. The entry and exit spans are perpendicular to the guide plane of motion. The detector is positioned in the exit span just downstream of the guide.

Displacement guide guidelines:

- The entry and exit span should be a minimum of 1 times the width of the web.
- The entry and exit spans must be perpendicular to the plane of rotation.
- The detector should be located as close to the guide roller as possible, no more than $1/2$ the distance of the exit span.
- The displacement guide will correct only the downstream web path.
- Refer to Data Sheet 10071/DS2.00 for different wrap style arrangements.

Note: These are generally accepted guidelines in the guiding industry. There may be situations where the above guidelines do not apply. Please consult with a Fives North American application engineer for your specific application.