



## H6229 Digital Offset Station



- **Convenient "SET" key allows instantaneous set of guide points to present position**
- **Allows easy remote adjustment of guide control point**
- **Surface mount or flush panel mount versions**
- **Analog meter indicates amplifier or detector output**
- **"Auxiliary" units may be linked to achieve multiple location offset stations**
- **Depression of > or < keys temporarily displays offset value**

For applications where guiding off machine centerline is required, North American offers the H6229 Digital Offset Station. The H6229 allows a user to shift a sensor's control point, a practical need in operations where fine adjustments are necessary to meet downstream requirements of a process. A user need only press and hold the increase (>) or decrease (<) keys to shift the guide point in the desired direction. Depression of these keys also triggers display of offset voltage. This offset voltage is useful in setting a process to previously recorded offset values. During normal operation the meter displays either detector error or amplifier output as programmed at the controller.

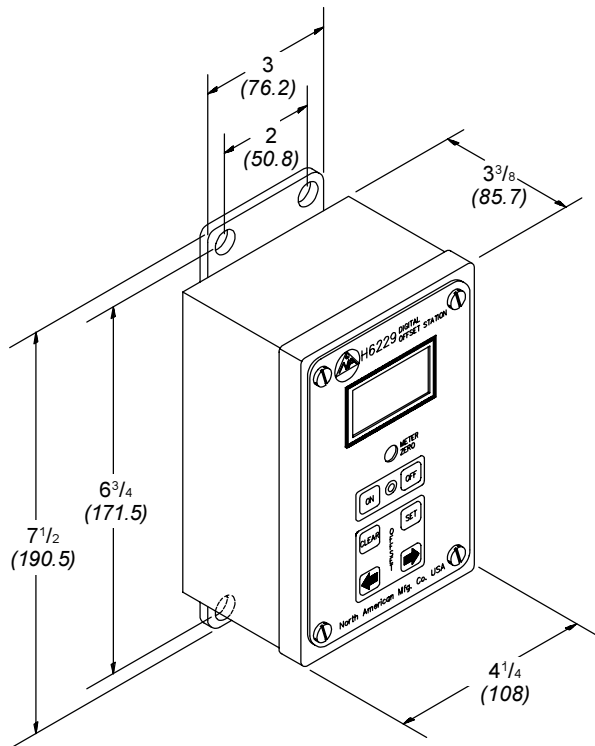
A pushbutton "SET" function, which triggers the controller to "memorize" the current position of the material in the detector, forces the system to guide to the selected point. With this feature, an operator can easily define the guide point when the material is in the desired position in the process. A corresponding "CLEAR" key removes any programmed offset and guides to the calibrated detector zero. An internal polarity switch allows configuring the offset arrow key directional effect to match intuitive/desired direction.

Also available, is an "Auxiliary" version of the H6229, which may be installed in additional locations, each performing the same function. This frees the operator to move to different areas while maintaining the ability to adjust strip offset. The "auxiliary" models are identical to the standard model except there are no on-off buttons. Activating/deactivating the base model also activates/deactivates all connected "auxiliary" models.

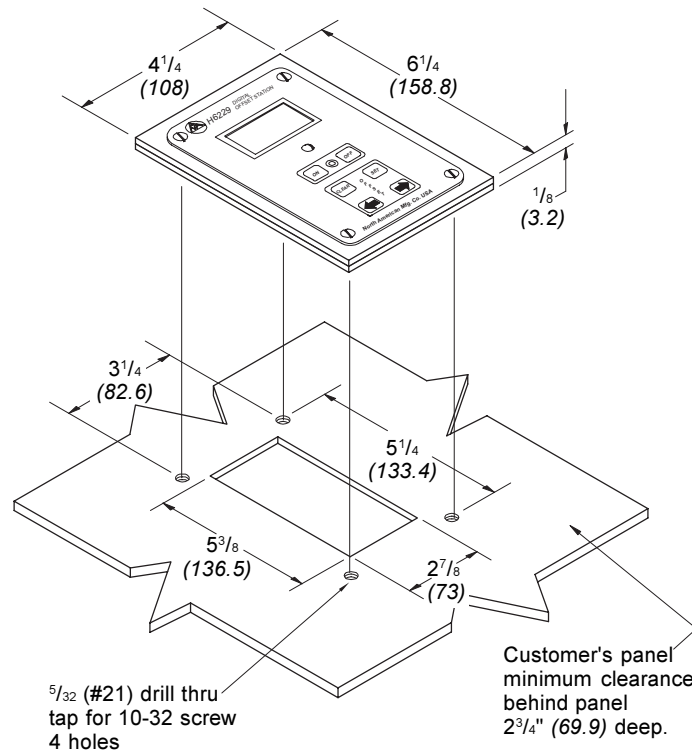
## DIMENSIONS

inches (mm)

### H6229-100-01 Surface Mount Version



### H6229-100-FM Flush Mount Version



## SPECIFICATIONS

**Model numbers:** H6229-100-01 Surface mount model  
 H6229-100-FM Flush mount model  
 H6229-AUX-01 Auxiliary model for linking units (surface mount only)

**Power supply:** +15 at 30 mA max.  
 -15 at 15 mA max.

**Outputs:**

Function	Voltage Range (V dc)
Clear	+10 to +15 (active only in amplifier manual mode)
Increase	+4 to +6
On	+1.5 to +3
Off	-1 to +1
Decrease	-4 to -6
Set	-10 to -15

## Terminal Identification

	Term I.D.	Function
<b>Primary connections:</b> (to controller)	+15 V dc	power supply
	Com	common
	-15 V dc	power supply
	OUT	offset output (to controller OFFSET INPUT conn.)
	Meter + Meter -	{ controller or detector output as configured in control amplifier
<b>Auxiliary connections:</b> (connect to auxiliary H6229)	+15 V dc	power supply
	-15 V dc	power supply
	Aux In	offset signal (from OUT conn. of auxiliary H6229)
	Meter + Meter -	{ relays the same meter signal to auxiliary H6229

International Headquarters  
**North American Mfg. Co., Ltd.**  
 4455 EAST 71st STREET, CLEVELAND, OH 44105-5600 USA  
 Tel: 216.271.6000 Fax: 216.641.7852  
 email: sales@namfg.com • www.namfg.com

**North American Mfg. (Canada) Inc.**  
 540 PIERCEY RD., BOLTON, ONT. L7E 5B4, CANADA  
 Tel: 905.857.3337 Fax: 905.857.0304