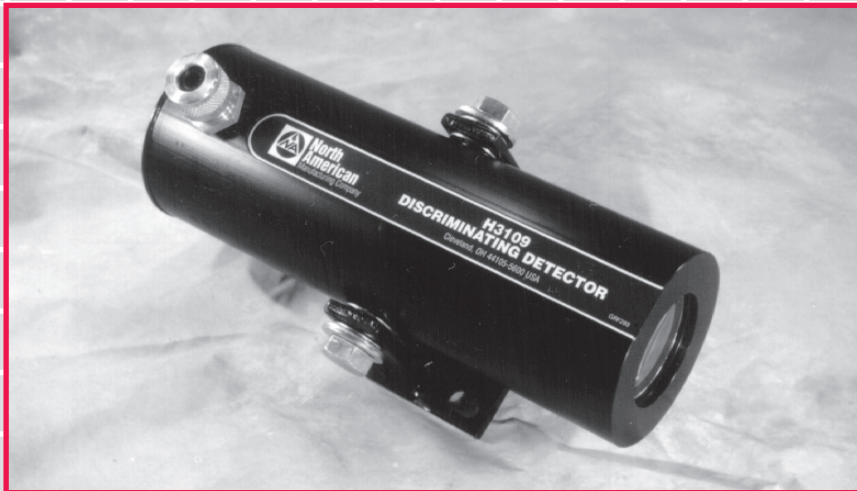


H3109/H3109P Discriminating Edge Detector

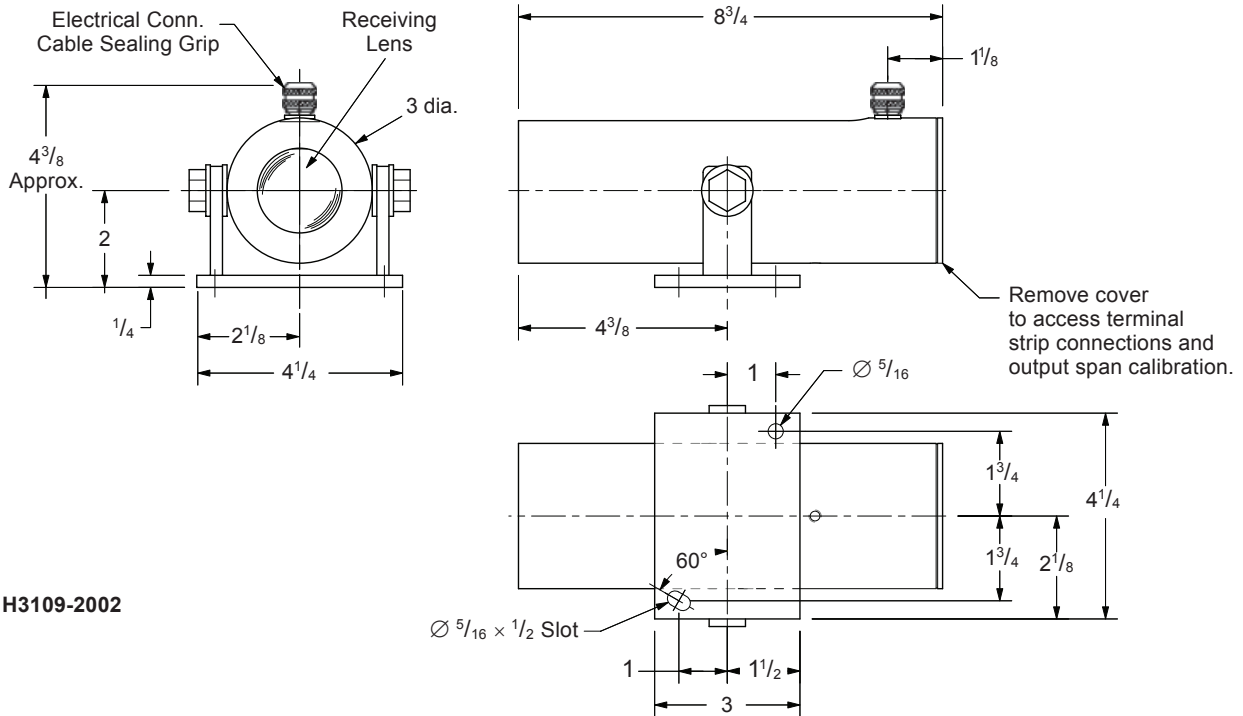


- Precision edge or center-guide
 - Rugged industrial housing
 - Small and large gap capacity makes excellent choice in uncoiler applications
- Accommodates wide width changes when used with fluorescent light source, and positioning device
 - Self-seek edge, and destination positioning features available

The Fives North American H3109 Detector is a rugged optoelectronic device that can be used for either edge or center-guiding. The H3109 is used with high frequency pulsed light sources to discriminate from and reduce sensitivity to ambient light. Edge guiding is accomplished through the use of either an H3112/H3112P high frequency pulsed beam type light source, or a series H3137 high frequency pulsed fluorescent light source. Optionally, an H3109P mounted integrally with an H3112P light source is available with a 12" gap for edge guide applications, and as a system is referred to as a model H3116. For center-guiding, dual H3109's and H3137 series light sources are used.

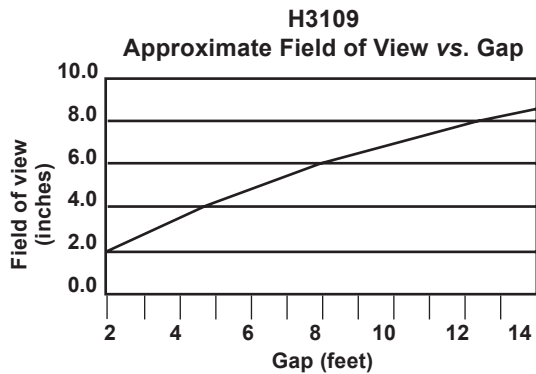
For edge guiding, the H3109 detector may be mounted on a motorized or manually operated positioning device (H5542 and H5540 respectively) to permit relocation of the detector to accommodate width variations. For center-guide applications, double mount positioning devices (H5536 and H5539) are available which position two detectors symmetrically about the centerline of the process.

DIMENSIONS
inches



Ref: Dwg H3109-2002

DIMENSIONS SHOWN ARE SUBJECT TO CHANGE. PLEASE OBTAIN CERTIFIED PRINTS FROM FIVES NORTH AMERICAN COMBUSTION, INC. IF SPACE LIMITATIONS OR OTHER CONSIDERATIONS MAKE EXACT DIMENSION(S) CRITICAL.



SPECIFICATIONS

Model numbers: H3109-201-02 Standard model
H3109P-201-03 with H3112P (gaps less than 3 feet)

Input power: 10 to 15 V dc at 6 mA nominal

Output: 0 to 2.5 V dc (internally adjustable up to 5 V dc)

Output impedance: 1000 ohms max.

Incoming light frequency range: 3 to 7 kHz

Ambient light rejection: 25 dB at 60 Hz
20 dB at 120 Hz

Field of view: see above chart

Gap: 1 to 14 ft
1 to 3 ft (H3109P-201-03)

Operating temperature: 32 to 122 F (0 to 50 C)

Fives North American Combustion, Inc.
Guiding Systems

4455 EAST 71st STREET, CLEVELAND, OH 44105 USA
Tel: 216.271.6000 Fax: 216.641.7852

email: fna.guiding@fivesgroup.com • www.fivesgroup.com/fivesna