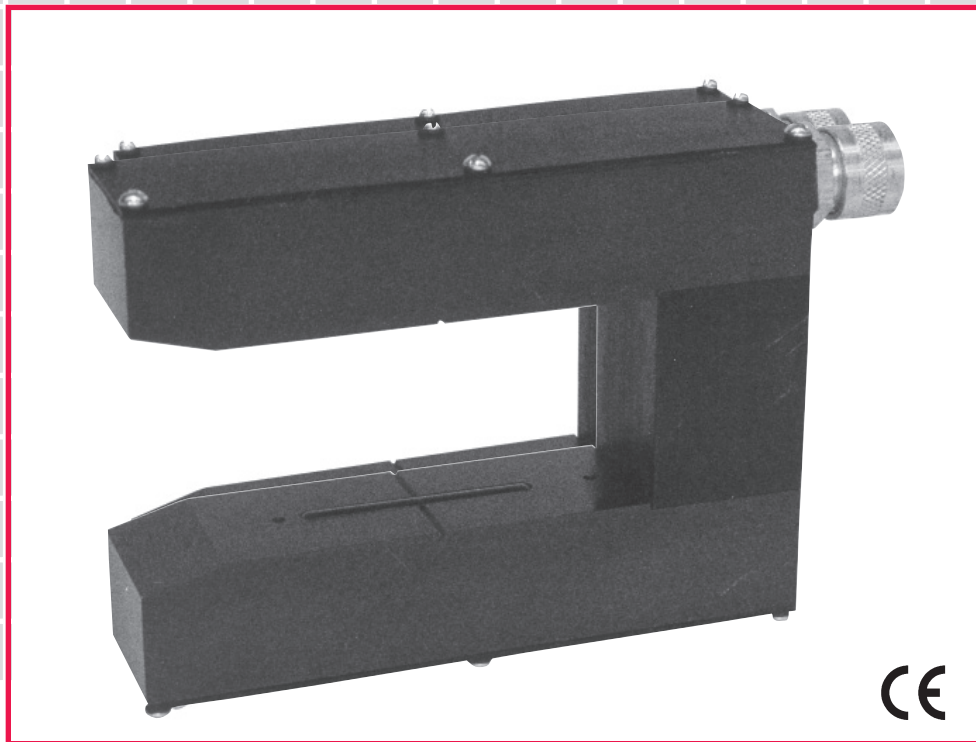


H3144 Discriminating Detector

Wide Proportional Band



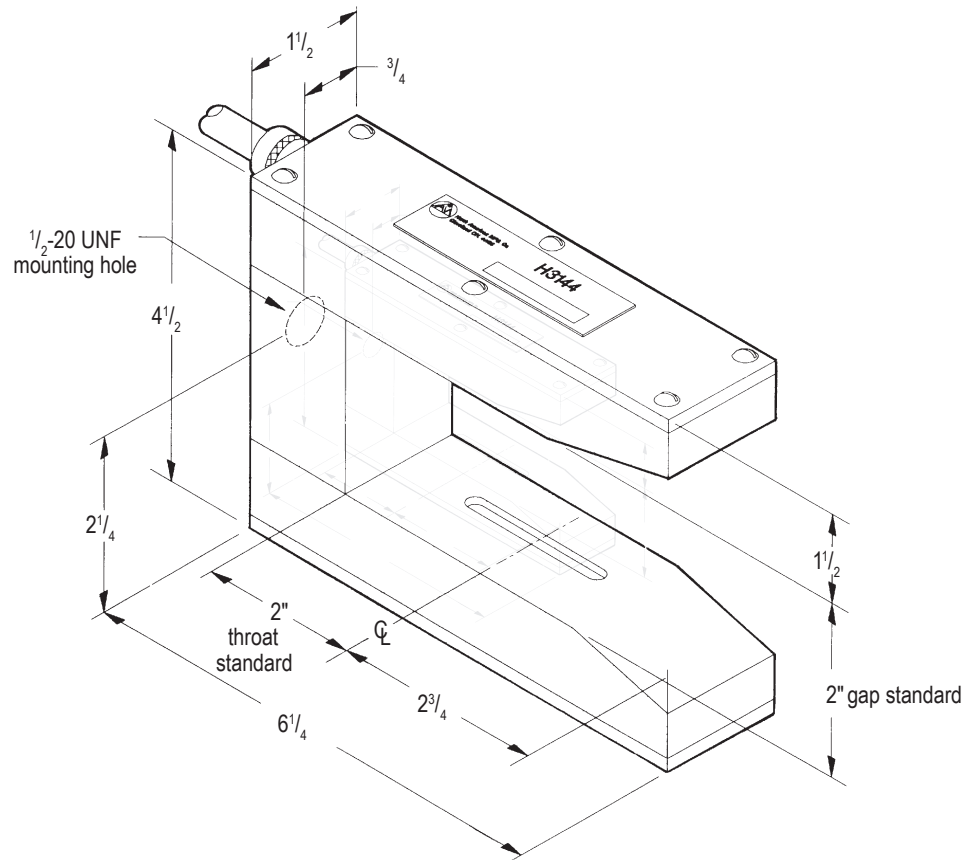
- Rejects ambient light
- 2", 4", and 6" gap versions to accommodate plane changes
- Senses opaque and transparent material
- Wide proportional band
- Infrared light source
- 1.5" field of view

The Fives North American H3144 Pulse LED Discriminating Detector is a self-contained high frequency light source and discriminating detector for use in strip guiding applications. It is capable of sensing opaque and uniformity transparent material and is used for both edge and center-guide systems.

For center-guide applications, the H3144 Detector allows strip width variation of up to ± 1 " without shifting the detector itself. Additionally, the wide proportional band permits the use of remote offset control for electronically shifting the detector guide point.

DIMENSIONS

inches



DIMENSIONS SHOWN ARE SUBJECT TO CHANGE. PLEASE OBTAIN CERTIFIED PRINTS FROM FIVES NORTH AMERICAN COMBUSTION, INC.
IF SPACE LIMITATIONS OR OTHER CONSIDERATIONS MAKE EXACT DIMENSION(S) CRITICAL.

SPECIFICATIONS

Power requirements: +12 to 16 V dc (supplied by amplifier)

Pulse frequency: 4 kHz to 6 kHz

Power consumption: 1 watt maximum

Frequency response: 20 Hz

Cable: see table below

Light source: Infrared LED's 900: approximately 100,000 hours life

Output voltage range: 0 to 2.5 V dc from no light to full light

Operating temperature: 32 to 122 F (0 to 50 C)

Field of view: 1 1/2"

Gap: 2", 4", and 6" standard (consult factory for special gaps)

Throat: 2" standard (consult factory for special throats)

Housing: anodized aluminum; gasketed dusttight to IP50

Lenses: acrylic treated for scratch resistance

MODEL NUMBERS:	H3144-6415-2/3F	2" gap, 2" throat, 15 ft straight cable for SimPlex™
	H3144-6415-4/3F	4" gap, 2" throat, 15 ft straight cable for SimPlex™
	H3144-6415-6/3F	6" gap, 2" throat, 15 ft straight cable for SimPlex™
	H3144-201-03A	20 ft cable and plug-in connector for H6400 amplifier
	H3144-201-03B	6 ft coiled cable and plug-in connector for H6400 amplifier
	H3144-201-03C	20 ft cable and spade lug connections on ends
	H3144-201-03D	6 ft coiled cable and spade lug connections on ends

Fives North American Combustion, Inc. Guiding Systems

4455 EAST 71st STREET, CLEVELAND, OH 44105 USA

Tel: 216.271.6000 Fax: 216.641.7852

email: fna.guiding@fivesgroup.com • www.fivesgroup.com/fivesna