

H3218-RMTC-01

Power Supply and Calibration Interface



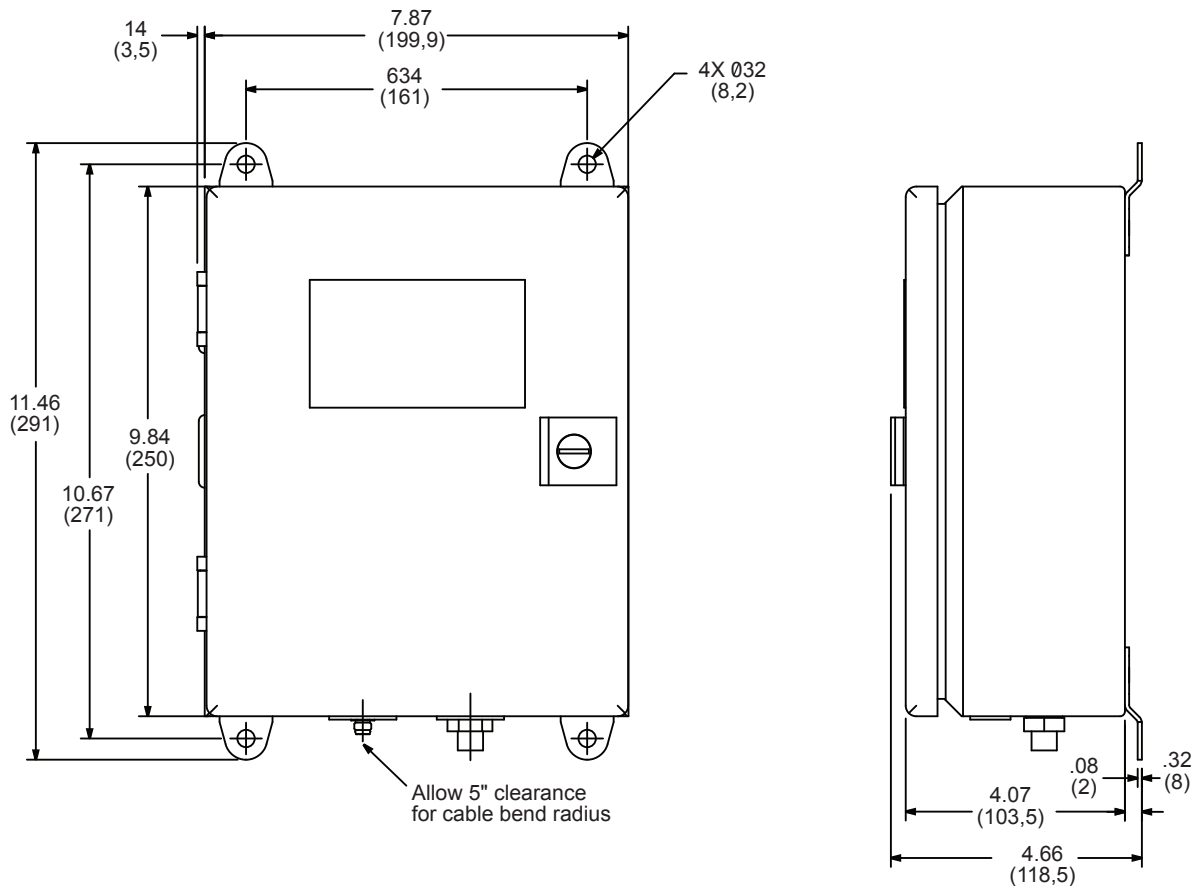
- Provides remote calibration access for H3218/H3218E detectors
- Includes 24 Vdc power supply at 80 watts maximum
- Plug-in connections
- Dry contact for status indication
- Universal power input
- IP66 sealed enclosure

The H3218-RMTC-01 provides power and a remote calibration interface for systems with H3218/H3218E centerguide detectors. The remote calibration interface allows easy access to the digital self-calibration feature in the H3218/H3218E detector. Additionally, the H3218-RMTC-01 provides 24 Vdc at up to 80 watts to power the H3218/H3218E detector and H3157E LED light source. The H3218-RMTC-01 features a dry contact to indicate system status. The contact will transfer if either the H3218, H3218E or H3157E light source experiences a problem.

The H3218-RMTC-01 features plug-in connections to detectors and light sources. It is housed in an IP66 rated enclosure.

DIMENSIONS

inches (mm)



SPECIFICATIONS

Model Number: H3218-RMTC-01

SIZE: L 9.84" (250mm) x W 7.87" (200mm) x H 4.07" (104mm)

Power Requirements: 100-240 Vac, 47-63 Hz at 2.2 amps maximum

Output: 24 Vdc at 3.3 A maximum (80W)

Status Output: 1 Form C Contact rated at 1 amp maximum at 240 Vac

Ambient Temperature: 0-50°C (32-122°F)

Weight: 7 lb (3.2 Kg)

Environmental Rating: IP66

Fives North American Combustion, Inc. Guiding Systems

4455 EAST 71st STREET, CLEVELAND, OH 44105 USA

Tel: 216.271.6000 Fax: 216.641.7852

email: fna.guiding@fivesgroup.com • www.fivesgroup.com/fivesna