

SimPlex™

The New Simplicity in Web Guiding Systems

**Operator Interface
H6415-DSP**



**Electronic Controller
H6425-AMP**



- | | |
|--|---|
| <ul style="list-style-type: none"> ■ Self-diagnostics ■ Simplified web setup ■ International keypad/display symbols ■ Use one or two operator interface units on the same system ■ Flush or surface mount | <ul style="list-style-type: none"> ■ PWM motor drive control ■ No internal operator adjustments ■ Two EIA-485 (RS-485) serial ports ■ All plug-in connections |
|--|---|

The SimPlex Electronic Controller and Operator Interface offer features that have taken Web Guiding systems to the next generation of simplicity. By integrating intelligence in the form of self-diagnostics, and monitoring of input and output conditions, this advanced guiding system provides precise web control while streamlining the task of the machine operator. Through the use of international keypad/display symbols; providing user manuals in English, French, Spanish, and German; and by carrying CE compliance, this system is at home anywhere on the globe.

The H6415-DSP Operator Interface is ultra-compact for flexibility in placement at the operator's convenience. User simplicity is achieved by making the necessary operating features available to the operator. Automatic self-diagnostics monitor the integrity of inputs, actuator output, controller temperature, motor electrical integrity, communications, and displays status messages to indicate any parameter that is not within boundaries. This advanced controller also queries the actuator to identify appropriate operating settings.

The H6425-AMP Controller offers two EIA-485 serial ports each of which can link to either a users computer, to a *DeviceNet*™ network via the H6801 Interface Module, or to a H6415-DSP Operator Interface unit. Using a simple binary protocol, a computer can be linked to emulate the functions of the Operator Interface, as well as to set or query operating parameters. Through the serial port, "job-specific" settings can be stored/recalled saving an operator valuable time when performing repeat setups.

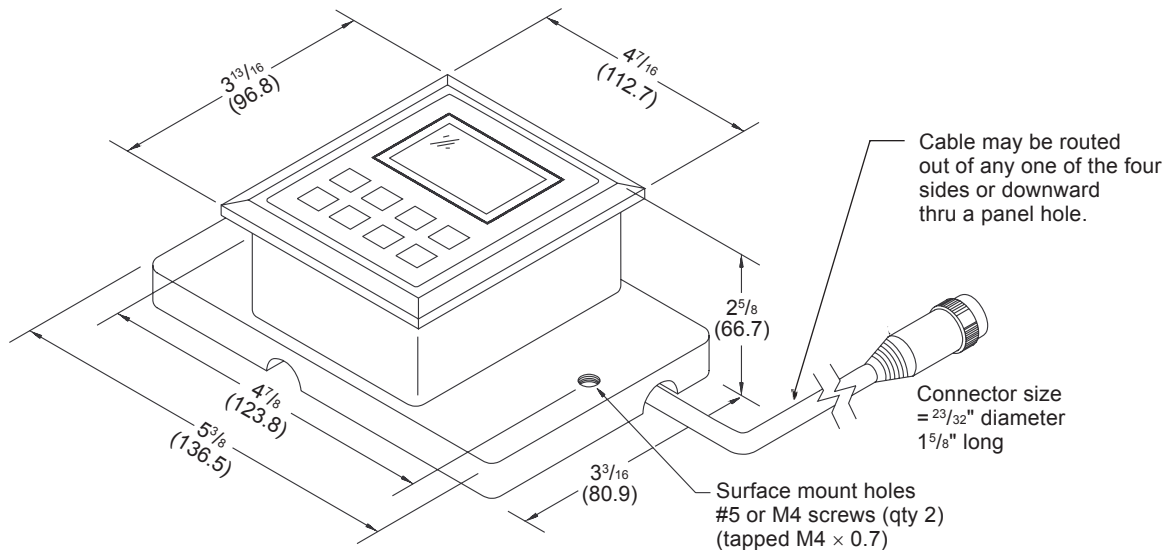
OPERATOR INTERFACE H6415-DSP

FEATURES

- Operator Adjustments:
 - Automatic
 - Servo Center
 - Manual Jog
 - Detector Select--Detector 1, Detector 2, Center-guide
 - Web Setup (Calibrate detector on Web)
 - Gain adjust
- Displays a code to identify the system self-diagnostic status:
 - Detector Inputs--Proper range, shorted or open signal
 - Actuator--Open or shorted connection, stall condition
 - Communications--Interruption
 - Checksum of communications
- International symbols on keypad and display
- Display symbols indicate mode of operation

DIMENSIONS

inches (mm)



Note: The panel cutout size for flush mounting is 4" (101.6) wide x $3\frac{3}{8}$ " (85.8) high.

SPECIFICATIONS

Model Number: H6415-DSP-07 with 7 ft cable
H6415-DSP-15 with 15 ft cable

Power Requirements: 15 V dc at 50 mA
Supplied from H6425-AMP

Display Character Size: $\frac{3}{16}$ " (4.7 mm)

Operating Temperature Range: 0-50 C (32-122 F)

Housing Material: Zinc-aluminum alloy

Keypad: Tactile feedback membrane

Mounting: Surface or flush

Cable length: 7 ft or 15 ft

Extension Cable: 15 ft (P/N H6415-DSPEXT-15)

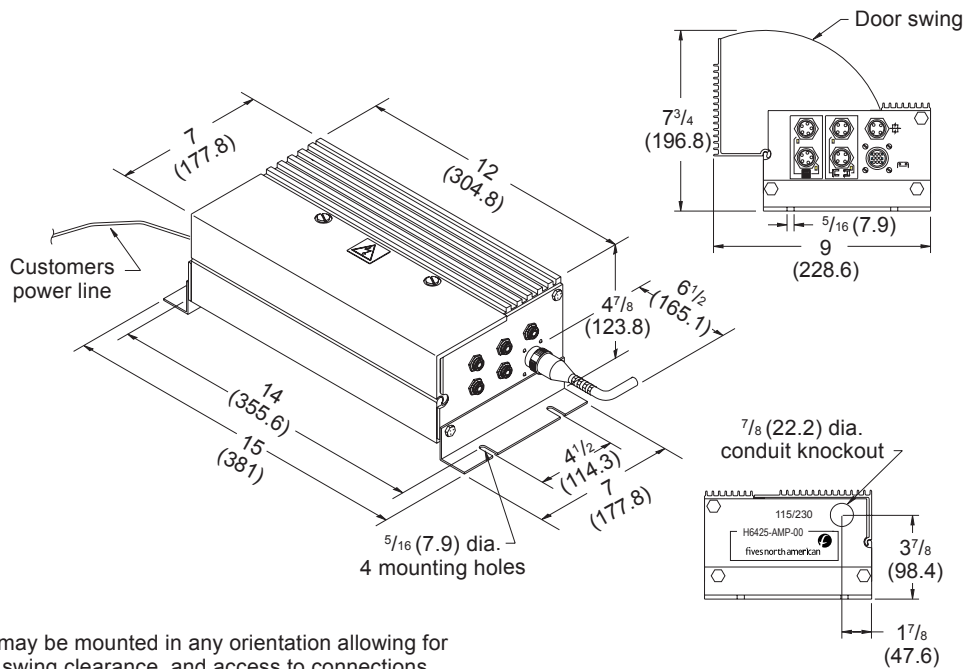
ELECTRONIC CONTROLLER H6425-AMP-00

FEATURES

- Externally trigger servo center through an AC input
- Line run AC input to inhibit automatic operation
- Relay contacts (one NO and one NC) provided for annunciation of fault conditions
- Operator can remotely adjust guide point using locally mounted handheld device
- The controller automatically identifies the type/size of actuator connected
- Two EIA-485 serial inputs allow remote computer *DeviceNet*™ network access to the following features:
 - All keyboard functions on H6415-DSP
 - Save/recall "job-specific" settings (detector setup, controller gain, and offset)
 - Monitor system status codes
 - Monitor line run AC input status
 - Monitor servo center AC input status
 - Select detectors
 - Calibrate detectors

DIMENSIONS

inches (mm)



SPECIFICATIONS

Model Number: H6425-AMP-00

Power Requirements: 102-132 or 204-264 V ac
Switch selectable
50-60 Hz, 400 VA max

Actual Power Output: 300 watts continuous
Pulse width modulated

AC Input (Line Run Relay, Servo Center)
Input: 102-264 V ac
Input Impedance: 28 kΩ
Maximum input allowed for no output: 70 V ac,
2.5 mA

Allowable Ambient Temperature: 0-50 C (32-122 F)

Frequency Response: -3dB at 20 Hz

Fault/Alarm Contacts: (1) Normally open and
(1) Normally closed
Rated 1 A at 230 V ac

Power Output (to detectors): 15 V dc at 150 mA

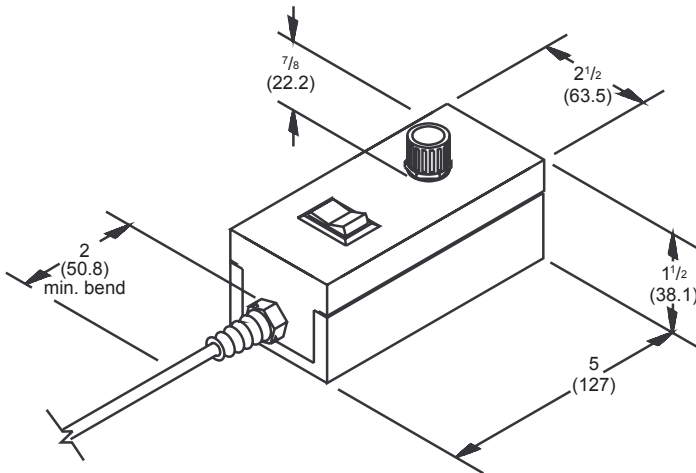
Housing Material: Anodized aluminum

Size: 15" (381) L × 7" (177.8) W × 4 7/8" (123.8) H

Weight: 16.1 lb (7.3kg)

Serial Ports: (2) EIA-485 (RS485)

REMOTE HANDHELD WEB OFFSET STATION H6415-OFS-15



Dimensions
inches (mm)

FEATURES

- Offsets $\pm 35\%$ of field of view
- Light and compact for ease-of-use
- Plug-in connection
- Can be wired into customer panel

SPECIFICATIONS

Power Requirements: 5 V dc

Potentiometer Value: 1 k Ω to 10 k Ω

Cable Length: 15 ft cable

Extension Cable (15 ft): H6415-DETEXT-15

DIMENSIONS SHOWN ARE SUBJECT TO CHANGE. PLEASE OBTAIN CERTIFIED PRINTS FROM FIVES NORTH AMERICAN COMBUSTION, INC.
IF SPACE LIMITATIONS OR OTHER CONSIDERATIONS MAKE EXACT DIMENSION(S) CRITICAL.

ACCESSORIES

Remote Offset Station:

w/15 ft cable H6415-OFS-15

Detectors:

0.8" Field of view	H3188-6415-07
0.08" Field of view	H3190-6415-07
Ultrasonic	H3303
1.5" Field of view	H3144 Series
0.25" Field of view	H3111 Series
Line Follower	H3198

Actuator: 1000 lb H5530H-S Series

DeviceNet Gateway/Interface: H6801-DNET-SM

Servo Center Sensor: Proximity type – H0212-02-002
H5530H Actuator Mount-
H3184G

Cables:

15 ft extension for operator interface/EIA-485	H6415-DSPEXT-15
15 ft detector or offset extension	H6415-DETEXT-15
7 ft EIA-485 w/one plain end	H6415-RS485-07
15 ft EIA-485 w/one plain end	H6415-RS485-15
7 ft H5530H actuator cable	H6425-5530H-07
15 ft H5530H actuator cable	H6425-5530H-15
7 ft adapter cable for line follower interface	H6415-6196-07
15 ft adapter cable for line follower interface	H6415-6196-15
7 ft cable for H3300	H6415-3300-07
15 ft cable for H3300	H6415-3300-15

Fives North American Combustion, Inc. Guiding Systems

4455 EAST 71st STREET, CLEVELAND, OH 44105 USA

Tel: 216.271.6000 Fax: 216.641.7852

email: fna.guiding@fivesgroup.com • www.fivesgroup.com/fivesna