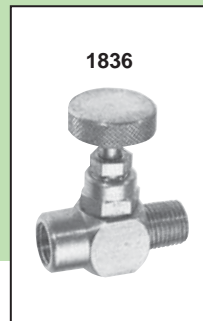
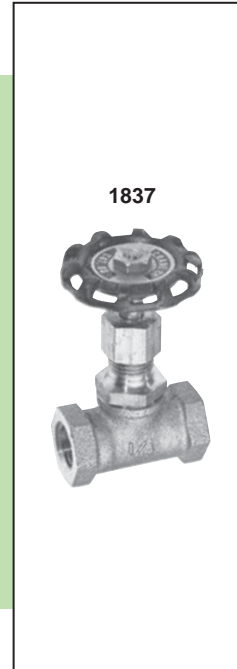
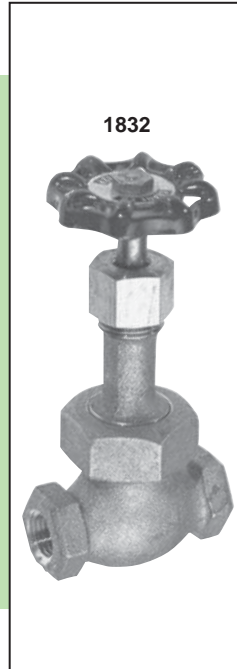
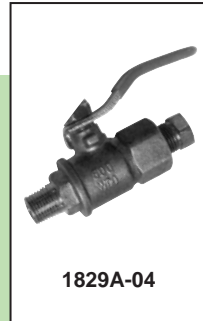
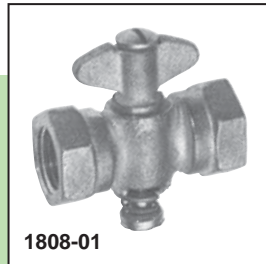


Flow Control Shutoff Valves



1808-01 Gas Shutoff Cock (½" FNPT, brass) for gas up to 0.5 psi. A plug in the handle conceals a port adjustment for setting flow through valve. Used as pilot gas cocks on 4988 Burners.

1826 Globe Valves (bronze bodies, composition discs) for cold gas, oil, or air at 150 psi. Used with 3070, 3071, and 3080 Inspirators and 4620 Torches.

1829A-04 Valve (⅛" FNPT by ⅛" MNPT full bore brass ball valve with chrome plated brass ball), PTFE seat, Viton O-rings, ¼ turn lever operated. 600WOG / 150WSP. Temperature range -40F to 300F for use on air, natural gas, oil, and steam. CSA listed Z21.15.

1832 Globe Valves (bronze bodies, SST disc and seat) for gas, oil, and air to 400 psi, steam to 200 psi and 550 F. Used with 5622 and 5623 atomizers.

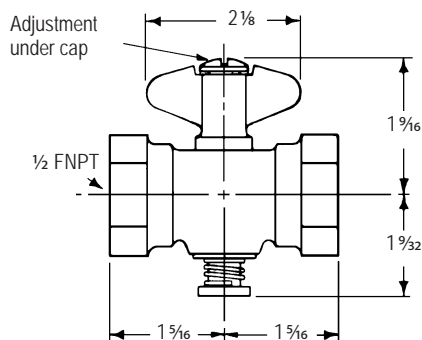
1836 Needle Valves (FNPT by MNPT, brass), rated at 2000 psi and 300 F for air, gas, oil, and water. Used as gauge cocks. The 1836-04-C and 1836-03-C valves are suitable for oxygen service.

1837 Needle Valves (bronze) for gas, oil, and water at 400 psi and saturated steam at 200 psi. Used with 5680 and 4696 torches and 6660 oil-to-gas atomizers.

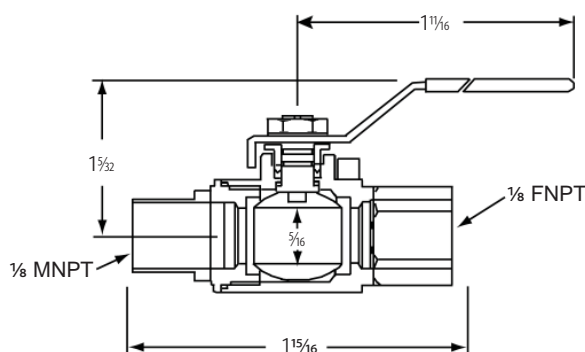
1847-03 Snap Shut Pin Valve (¼" MNPT, brass) toggle operated for quick opening or closing. Used for pneumatics, test benches, instrumentation, control panels, air lines, gauges, etc. Rated for 300 psi at 70 F; temperature limits - 40 to 200 F, Cv = 0.20.

1849-04 Petcock is an 1829A-04 Valve fitted with 1929-04 hose nipple. Used on 8697 metering orifices and petcock kits.

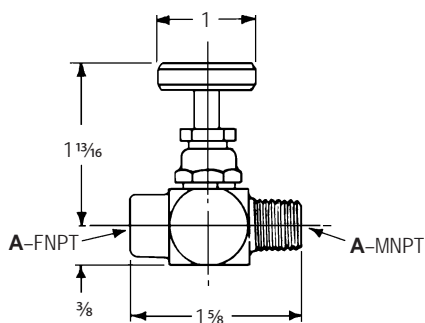
DIMENSIONS inches



1808-01 Weight 1/2 lb



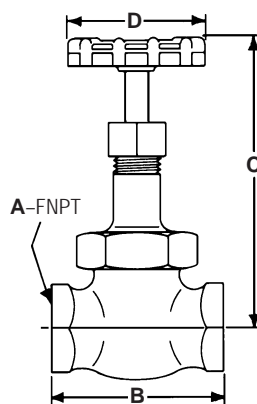
1829A-04 Weight 4 oz.



Series 1836 Weight 1/4 lb

"A" Dimension

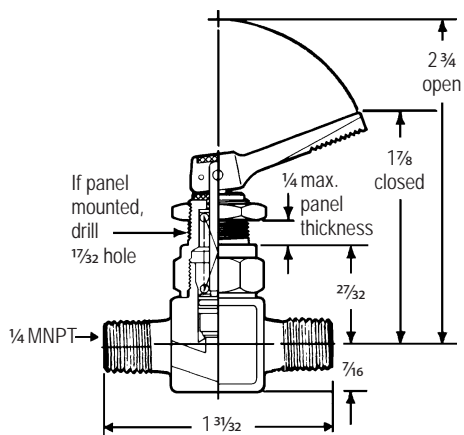
1836-04	1/8
1836-03	1/4



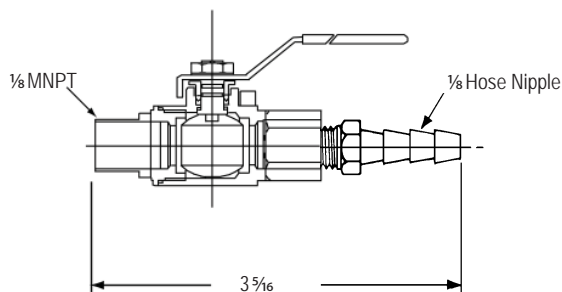
1826, 1832, and 1837

Valve designation	Dimensions†				Wt, lb
	A	B	C	D	
1832-02	3/8	2 5/16	4 1/2	2 1/16	1 1/4
1832-01	1/2	2 11/16	5 1/16	2 9/16	1 3/4
1832-0	3/4	3 3/16	5 3/4	2 3/4	2 1/2
1832-1	1	3 3/4	6 5/16	3 1/16	3 3/4
1832-2	1 1/4	4 1/4	7 1/4	3 5/8	6 1/4

Valve designation	Dimensions†				Wt, lb	Valve designation	Dimensions				Wt, lb
	A	B	C	D			A	B	C	D	
1826-03	1/4	2	4 3/8	1 7/8	0.8	1837-04	1/8	1 3/16	2 3/8	1 1/2	1/4
1826-02	3/8	2 1/8	4 1/2	1 7/8	0.9	1837-03	1/4	1 9/16	2 3/8	1 1/2	1/4
1826-01	1/2	2 1/2	4 9/8	1 7/8	1.1	1837-02	3/8	1 13/16	2 3/4	1 3/4	1/2
1826-0	3/4	2 13/16	5 1/16	2 11/16	1.7	1837-01	1/2	2 1/16	3 3/8	2 1/16	3/4
1826-1	1	3 3/8	6 1/4	3	2.4	1837-0	3/4	2 5/16	4	2 9/16	1
1826-2	1 1/4	3 7/8	7	3	3.3						
1826-3	1 1/2	4 3/4	7 7/8	3 1/16	4.8						



1847-03 Weight 1/4 lb



1849-04 Weight 5 oz.

† "A" dimension never varies. Others may because different valves are supplied at different times. Maximum dimensions are shown--any variation will be smaller.

DIMENSIONS SHOWN ARE SUBJECT TO CHANGE. PLEASE OBTAIN CERTIFIED PRINTS FROM FIVES NORTH AMERICAN COMBUSTION, INC.
IF SPACE LIMITATIONS OR OTHER CONSIDERATIONS MAKE EXACT DIMENSION(S) CRITICAL.

WARNING: Situations dangerous to personnel and property may exist with the operation and maintenance of any combustion equipment. The presence of fuels, oxidants, hot and cold combustion products, hot surfaces, electrical power in control and ignition circuits, etc., are inherent with any combustion application. Parts of this product may exceed 160F in operation and present a contact hazard. Fives North American Combustion, Inc. urges compliance with National Safety Standards and Insurance Underwriters recommendations, and care in operation.