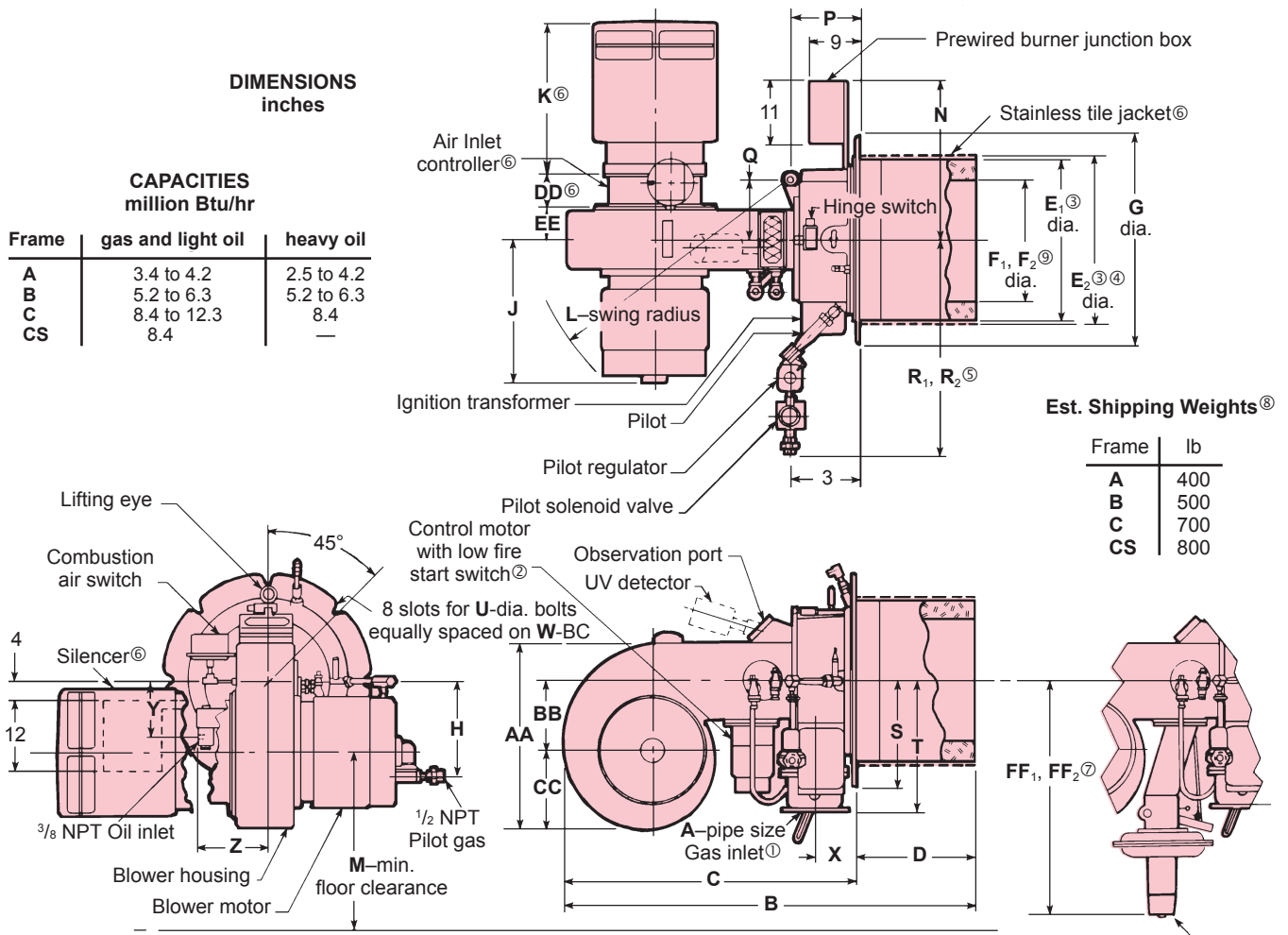


4/5/6131-A, B, C, and CS FRAME SIZE BURNERS



DIMENSIONS inches

CAPACITIES million Btu/hr

Frame	gas and light oil	heavy oil
A	3.4 to 4.2	2.5 to 4.2
B	5.2 to 6.3	5.2 to 6.3
C	8.4 to 12.3	8.4
CS	8.4	—

Est. Shipping Weights[®]

Frame	lb
A	400
B	500
C	700
CS	800

131 Series Burner Frame Size 4131-, 5131-, 6131-

	A ^①	B	C	D	E ₁ ^③	E ₂ ^{③④}	F ₁ ^⑤	F ₂ ^⑤	G	H	J	K ^⑥	L	M	N	P	Q
A	3	36 ³ / ₄	25	11 ³ / ₄	16	16 ³ / ₄	13 ¹ / ₂	13 ¹ / ₂	20 ³ / ₄	10 ³ / ₄	14 ¹ / ₄	11 ³ / ₄	23 ¹ / ₂	22 ¹ / ₂	21	6 ¹⁵ / ₁₆	6
B	3	41 ³ / ₈	29 ⁵ / ₈	11 ³ / ₄	16	16 ³ / ₄	11 ¹ / ₂	13 ¹ / ₂	20 ³ / ₄	10 ³ / ₄	14 ¹ / ₂	13 ⁷ / ₈	27 ¹ / ₈	25 ¹ / ₂	21	6 ¹⁵ / ₁₆	6
C	4	46 ¹ / ₈	33 ¹ / ₈	13	19 ¹ / ₂	20 ¹ / ₄	14	16 ³ / ₈	24	14 ¹ / ₂	14 ³ / ₄	16 ¹ / ₄	29	26 ¹ / ₂	23	11	6 ¹³ / ₁₆
CS	4	53	40	13	19 ¹ / ₂	20 ¹ / ₄	14	16 ³ / ₈	24	14 ¹ / ₂	21 ¹ / ₄	20	38	26 ¹ / ₂	23	11	6 ¹³ / ₁₆

131 Series Burner Frame Size 4131-, 5131-, 6131-

	R ₁ ^⑤	R ₂ ^⑤	S	T	U	W	X	Y	Z	AA	BB	CC	DD ^⑥	EE	FF ₁ ^⑦	FF ₂ ^⑦
A	20 ¹ / ₂	24	10 ³ / ₈	15 ³ / ₄	1/2	19 ¹ / ₂	4 ¹ / ₄	8	6 ³ / ₄	13 ³ / ₄	5 ¹ / ₈	5 ⁷ / ₈	5 ¹¹ / ₁₆	2 ³ / ₄	29 ¹ / ₄	27 ³ / ₄
B	20 ¹ / ₂	24	10 ³ / ₈	15 ³ / ₄	1/2	19 ¹ / ₂	4 ¹ / ₄	8	6 ³ / ₄	18 ¹ / ₈	6 ³ / ₄	7 ¹ / ₂	7 ¹ / ₄	2 ¹³ / ₁₆	29 ¹ / ₄	24 ¹ / ₄
C	28	31 ¹ / ₂	12	16 ¹ / ₄	5/8	22 ³ / ₄	5 ³ / ₄	9 ¹ / ₄	8	17 ¹ / ₄	4 ⁷ / ₈	7 ³ / ₈	7 ¹ / ₄	5 ¹ / ₂	29 ³ / ₄	24 ³ / ₄
CS	28	31 ¹ / ₂	12	16 ¹ / ₄	5/8	22 ³ / ₄	5 ³ / ₄	9 ¹ / ₄	8	21	6 ³ / ₈	9 ¹ / ₈	7 ¹ / ₄	5	29 ³ / ₄	24 ³ / ₄

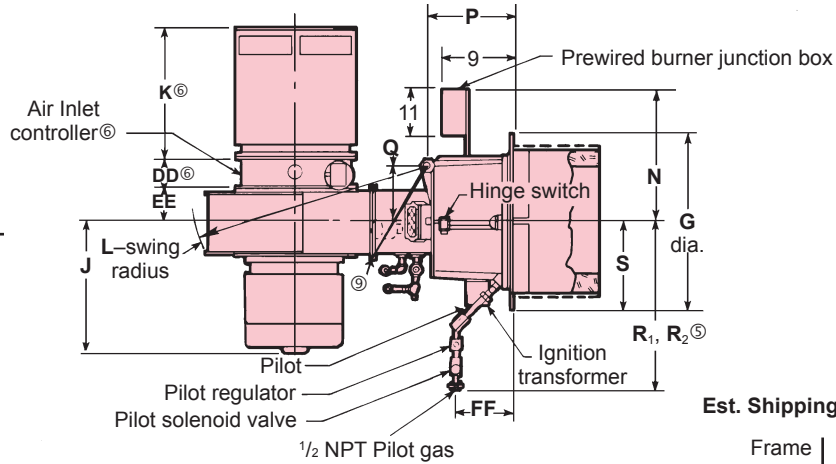
① ANSI 125 lb flanged connection. Not used on 5121 or 5131 Burners.
 ② Honeywell M9484 or M7284 motors shown. For other motor types, check with North American.
 ③ Furnace opening for 131-A, B, and equivalent size 121 burners is 16¹/₂" dia. (17¹/₂" dia. with jacketed tile).
 Furnace opening for 131-C, CS, and equivalent size 121 burners is 20¹/₂" dia. (21" dia. with jacketed tile).
 ④ With stainless steel tile jacket only.
 ⑤ If one pilot solenoid valve is used, dimension R₁ applies. Use dimension R₂ for burners with two pilot solenoid valves.
 ⑥ Optional, furnished only when ordered.
 ⑦ If Moore Positioner is used, dimension FF₁ applies. Use dimension FF₂ if the Moore Positioner is not supplied.
 ⑧ If air motor is used, add 50 lb to these figures.
 ⑨ If burner is gas and/or light oil, dimension F₁ applies. Use dimension F₂ if burner is heavy oil.

4/5/6131-D, E, FA, and FC FRAME SIZE BURNERS

DIMENSIONS
inches

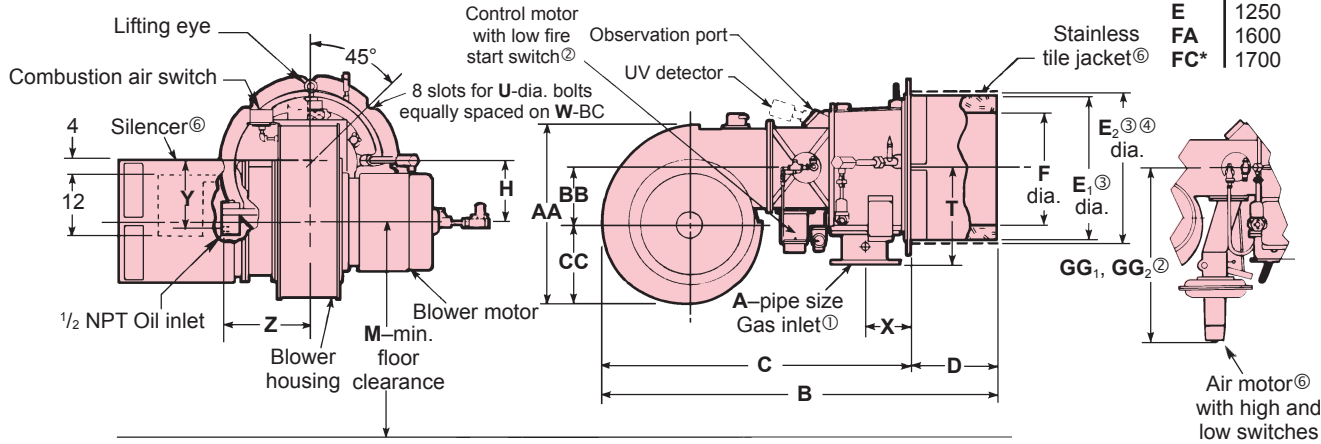
CAPACITIES
million Btu/hr

Frame	gas and light oil	heavy oil
D	12.6 to 18.0	12.6 to 16.8
E	21.0 to 25.2	21.0 to 25.2
FA	29.4 to 30.0	29.4 to 30.0
FC*	29.4 to 30.0	29.4 to 30.0



Est. Shipping Weights[Ⓢ]

Frame	lb
D	950
E	1250
FA	1600
FC*	1700



131 Series Burner Frame Size 4131-, 5131-, 6131-

	A ^①	B	C	D	E ₁ ^③	E ₂ ^{③④}	F	G	H	J	K ^⑥	L	M	N	P	Q
D	6	62 ⁷ / ₈	49 ¹ / ₈	13 ³ / ₄	23	23 ³ / ₄	17	28	14 ¹ / ₂	17 ³ / ₄	20	37 ¹¹ / ₁₆	33 ¹ / ₂	25	12 ³ / ₄	9 ¹ / ₁₆
E	8	64 ¹ / ₄	51	13 ¹ / ₄	23	23 ³ / ₄	18	32 ¹ / ₄	16 ¹ / ₂	20 ³ / ₈	20	41	38	26 ³ / ₄	14 ¹ / ₈	11 ¹ / ₈
FA	8	68 ³ / ₄	55	13 ¹ / ₄	23	23 ³ / ₄	18	32 ¹ / ₄	16 ¹ / ₂	23 ¹ / ₈	23 ³ / ₄	49	38	26 ³ / ₄	14 ¹ / ₈	11 ¹ / ₈
FC*	8	74	61	13 ¹ / ₄	23	23 ³ / ₄	18	32 ¹ / ₄	16 ¹ / ₂	27	23 ³ / ₄	58	38	26 ³ / ₄	14 ¹ / ₈	11 ¹ / ₈

131 Series Burner Frame Size 4131-, 5131-, 6131-

	R ₁ ^⑤	R ₂ ^⑤	S	T	U	W	X	Y	Z	AA	BB	CC	DD ^⑥	EE	FF	GG ₁ ^⑦	GG ₂ ^⑦
D	29 ³ / ₄	33 ¹ / ₄	14	15 ⁵ / ₁₆	5 ⁵ / ₈	26 ³ / ₈	7 ¹ / ₄	13 ¹ / ₂	10	28 ¹ / ₄	8 ⁵ / ₈	12 ³ / ₄	10 ³ / ₄	5 ¹ / ₈	7	38 ³ / ₄	33 ³ / ₄
E	31 ¹ / ₂	35 ¹ / ₂	16 ¹ / ₈	18 ¹ / ₄	7 ⁷ / ₈	30	8 ³ / ₈	15 ¹ / ₂	12	29 ¹ / ₂	8	12 ⁷ / ₈	10 ³ / ₄	6 ¹ / ₄	7 ¹ / ₂	35	30
FA	31 ¹ / ₂	35 ¹ / ₂	16 ¹ / ₈	18 ¹ / ₄	7 ⁷ / ₈	30	8 ³ / ₈	15 ¹ / ₂	12	36	12 ¹¹ / ₁₆	15	9 ³ / ₄	11 ³ / ₁₆	7 ¹ / ₂	35	30
FC*	31 ¹ / ₂	35 ¹ / ₂	16 ¹ / ₈	18 ¹ / ₄	7 ⁷ / ₈	30	8 ³ / ₈	15 ¹ / ₂	12	39	13 ⁵ / ₈	17 ¹ / ₄	9 ³ / ₄	11 ⁷ / ₈	7 ¹ / ₂	35	30

* 50 hertz only.

- ① ANSI 125 lb flanged connection. Not used on 5131 Burners.
- ② Honeywell M9484 or M7284 motors shown. For other motor types, check with North American.
- ③ Furnace opening for 131-D, E, FA, and FC Burners is 23¹/₂" dia. (24¹/₂" dia. with jacketed tile).
- ④ With stainless steel tile jacket only.
- ⑤ If one pilot solenoid valve is used, dimension R₁ applies. Use dimension R₂ for burners with two pilot solenoid valves.
- ⑥ Optional, furnished only when ordered.
- ⑦ If Moore Positioner is used, dimension GG₁ applies. Use dimension GG₂ if the Moore Positioner is not supplied.
- ⑧ If air motor is used, add 50 lb to these figures.
- ⑨ FA and FC burner shutter assembly with blower assembly removed swing radius = 21⁵/₁₆".

DIMENSIONS SHOWN ARE SUBJECT TO CHANGE. PLEASE OBTAIN CERTIFIED PRINTS FROM FIVES NORTH AMERICAN COMBUSTION, INC. IF SPACE LIMITATIONS OR OTHER CONSIDERATIONS MAKE EXACT DIMENSION(S) CRITICAL.

WARNING: Situations dangerous to personnel and property may exist with the operation and maintenance of any combustion equipment. The presence of fuels, oxidants, hot and cold combustion products, hot surfaces, electrical power in control and ignition circuits, etc., are inherent with any combustion application. Parts of this product may exceed 160F in operation and present a contact hazard. Fives North American urges compliance with National Safety Standards and insurance Underwriters recommendations, and care in operation.

Fives North American Combustion, Inc., 4455 East 71st Street, Cleveland, OH 44105 USA, Phone 216.271.6000
Fax 216.641.7852 email: fna.sales@fivesgroup.com • www.fivesgroup.com/fivesna