

January 2012

Pressure switches are used with Automatic Shutoff Valves or solenoid valves to interrupt fuel flow in the event of fuel or air failure. They are also used with Supervising Valve Systems (Bulletin 1857) and to protect regulators and other control devices from excessive pressures.

Fives North American offers a variety of standard snap-acting pressure switches to monitor both static and differential pressures. Standard pressure switches are offered in multiple ranges and for different process fluids including air, natural gas, oil and steam. For applications requiring explosion-proof switches, oxygen service, or any other special requirement, contact Fives North American for further information.



8757-GAO, -GML, -GMH:

- Pressure switches for air
- Ranges from 0.16" wc to 200" wc
 - SPDT snap-action switch
 - NEMA 4 enclosure
 - FM, UL, CSA approved



8757-12:

- Pressure switches for gas, air or oil
- Ranges from 4" wc to 100 psi
 - SPDT snap-action switch
 - UL, CE, ANSI/ISA 12.27.01 approved
 - Class I, II, Div. I, II



8757-B4, -D4:

- Pressure switches for gas, air or oil
- Ranges from 4.5" wc to 200 psi
 - SPDT snap-action switch
 - UL, CE, FM approved



8757-xNN:

- Pressure switches for air
- Ranges from 2 PSI to 180 PSI
 - SPDT snap-action switch
 - NEMA 4X enclosure
 - FM approved



8757-PG, -DS:

- Pressure switches for air
- Ranges from 1" wc to 150 PSI
 - SPDT snap-action switch
 - FM, UL, CSA approved



8757-H400:

- Pressure switch for air
- Ranges from 2" wc to 100 PSI
 - SPDT snap-action switch
 - NEMA 4X enclosure
 - FM, UL, CE approved



8757-L404:

- Pressure switches for steam
- Ranges from 5 PSI to 150 PSI
 - Snap-action switch NO, NC, SPDT
 - UL, CSA approved

PRESSURE SWITCHES - STATIC PRESSURE

FivesNA Switch Designation	Service	Action Press. Rise	Range of Operating Pressures	Max Static psi	Max Ambient Temp F	Differential Pressure (Dead Band)	Switch Rating		Approvals	Enclosure	Notes
							120Vac (Amps)	240Vac (Amps)			
8757-PG70-153/P1	Air	SPDT1	1-30" wc	15,20 (6)	180	4" wc	15	8	UL	1	1,6
8757-PG72-804/P1	Air	DPDT2	1-30" wc	15,20 (6)	180	8" wc	5	5	UL	1	2,6
8757-PG70-153/P2	Air	SPDT1	0.5-5 psi	15,20 (6)	180	0.5 psi	15	8	UL	1	1,6
8757-PG72-804/P2	Air	DPDT2	0.5-5 psi	15,20 (6)	180	1 psi	5	5	UL	1	2,6
8757-H400-440	Air	SPDT1	0-2" wc	3,225 (6)	160	0.07-0.25" wc	15	15	FM, UL, CE	4X	1,6
8757-H400-441	Air	SPDT1	0-10" wc	3,225 (6)	160	0.15-0.3" wc	15	15	FM, UL, CE	4X	1,6
8757-H400-442	Air	SPDT1	0-20" wc	3,225 (6)	160	0.2-0.5" wc	15	15	FM, UL, CE	4X	1,6
8757-H400-443	Air	SPDT1	0-80" wc	3,225 (6)	160	0.5-1.8" wc	15	15	FM, UL, CE	4X	1,6
8757-H400-453	Air	SPDT1	0-20 psi	20,225 (6)	160	0.05-0.2 psi	15	15	FM, UL, CE	4X	1,6
8757-H400-454	Air	SPDT1	0-30 psi	30,225 (6)	160	0.05-0.3 psi	15	15	FM, UL, CE	4X	1,6
8757-DSF-7231/4	Air	SPDT1	1-35 psi	35	180	1.5 psi	15	15	FM, UL, CSA	1	1,3
8757-DSF-7231/7	Air	SPDT1	5-150 psi	150	180	3 psi	15	15	FM, UL, CSA	1	1,3
8757-12NNCA4	Air	SPDT1	0.5-6 psi	200,400 (6)	180	0.4 psi	22	22	FM	4X	1,6
8757-12NNCA45	Air	SPDT1	1-16 psi	200,400 (6)	180	0.6 psi	22	22	FM	4X	1,6
8757-4NNCA4	Air	SPDT1	2-25 psi	750,1000 (6)	180	1.2 psi	22	22	FM	4X	1,6
8757-4NNCA5	Air	SPDT1	3-50 psi	750,1000 (6)	180	1.6 psi	22	22	FM	4X	1,6
8757-4NNCA45	Air	SPDT1	4-75 psi	750,1000 (6)	180	2.0 psi	22	22	FM	4X	1,6
8757-6NNCA3	Air	SPDT1	12-100 psi	1500,2500 (6)	180	3.6 psi	22	22	FM	4X	1,6
8757-6NNCA5	Air	SPDT1	20-180 psi	1500,2500 (6)	180	5.6 psi	22	22	FM	4X	1,6
8757-GAO-A4/4/2	Air	SPDT1	0.16-1.2" wc	7	140	0.12" wc	10	5	FM, UL, CSA	4	1
8757-GAO-A4/4/3	Air	SPDT1	0.4-4.0" wc	7	140	0.2" wc	10	5	FM, UL, CSA	4	1
8757-GML-A4/4/4	Air	SPDT1	1-20" wc	7	140	0.4" wc	10	5	FM, UL, CSA	4	1,7
8757-GAO-A4/4/5	Air	SPDT1	2-20" wc	7	140	0.4" wc	10	5	FM, UL, CSA	4	1
8757-GAO-A4/4/6	Air	SPDT1	12-60" wc	7	140	1.2" wc	10	5	FM, UL, CSA	4	1
8757-GMH-A4/4/6	Air	SPDT1	12-60" wc	7	140	1.2" wc	10	5	FM, UL, CSA	4	1,7
8757-GML-A4/4/6	Air	SPDT1	12-60" wc	7	140	1.2" wc	10	5	FM, UL, CSA	4	1,7
8757-GAO-A4/4/8	Air	SPDT1	40-200" wc	14	140	4.0" wc	10	5	FM, UL, CSA	4	1
8757-D4-30I	Gas, Air, Oil	SPDT1	4.5-30" wc	40,160 (6)	150	1.5-2.5" wc	15	15	FM, UL, CE	4X	1,5,6,8,9
8757-D4-60I	Gas, Air, Oil	SPDT1	9-60" wc	40,160 (6)	150	1.5-3.5" wc	15	15	FM, UL, CE	4X	1,5,6,8,9
8757-12-65I	Gas, Air, Oil	SPDT1	4-65" wc	25,50 (6)	203	2.0-5.0" wc	5	5	CE,ANSI/ISA 12.27.01	4X,Class I,II Div. I, II	1,5,6,9
8757-D4-100I	Gas, Air, Oil	SPDT1	15-100" wc	40,160 (6)	150	2.5-5.5" wc	15	15	FM, UL, CE	4X	1,5,6,8,9
8757-D4-150I	Gas, Air, Oil	SPDT1	22.5-150" wc	40,160 (6)	150	4.5-8.5" wc	15	15	FM, UL, CE	4X	1,5,6,8,9
8757-12-5P	Gas, Air, Oil	SPDT1	0.5-5 psi	25,50 (6)	203	0.1-0.2" wc	5	5	CE,ANSI/ISA 12.27.01,UL,CE	4X,Class I,II Div. I, II	1,5,6,9
8757-12-15P	Gas, Air, Oil	SPDT1	1-15 psi	300,500 (6)	203	0.5-2.0 psi	5	5	CE,ANSI/ISA 12.27.01	4X,Class I,II Div. I, II	1,5,6,9
8757-B4-15P	Gas, Air, Oil	SPDT1	2.25-15 psi	120,500 (6)	150	0.5-1.5 psi	15	15	FM, UL, CE	4X	1,5,6,8,9
8757-B4-30P	Gas, Air, Oil	SPDT1	4.5-30 psi	120,500 (6)	150	0.5-1.5 psi	15	15	FM, UL, CE	1	1,5,6,8,9
8757-12-50P	Gas, Air, Oil	SPDT1	3-50 psi	300,500 (6)	203	0.5-4 psi	5	5	CE,ANSI/ISA 12.27.01	4X,Class I,II Div. I, II	1,5,6,9
8757-B4-60P	Gas, Air, Oil	SPDT1	9-60 psi	120,500 (6)	150	1.0-3.5 psi	15	15	FM, UL, CE	4X	1,5,6,8,9
8757-12-100P	Gas, Air, Oil	SPDT1	5-100 psi	300,500 (6)	203	1.0-8 psi	5	5	CE,ANSI/ISA 12.27.01	4X,Class I,II Div. I, II	1,5,6,9
8757-B4-100P	Gas, Air, Oil	SPDT1	15-100 psi	400,1000 (6)	150	1.5-5 psi	15	15	FM, UL, CE	4X	1,5,6,8,9
8757-B4-200P	Gas, Air, Oil	SPDT1	30-200 psi	400,1000 (6)	150	5-13 psi	15	15	FM, UL, CE	4X	1,5,6,8,9
8757-L404F1078	Steam	SPDT1	5-50 psi	85	150	6-14 psi	8	5.1	UL, CSA	1	1,4
8757-L404F1102	Steam	SPDT1	10-150 psi	225	150	10-22 psi	8	5.1	UL, CSA	1	1,4

PRESSURE SWITCHES - DIFFERENTIAL PRESSURE

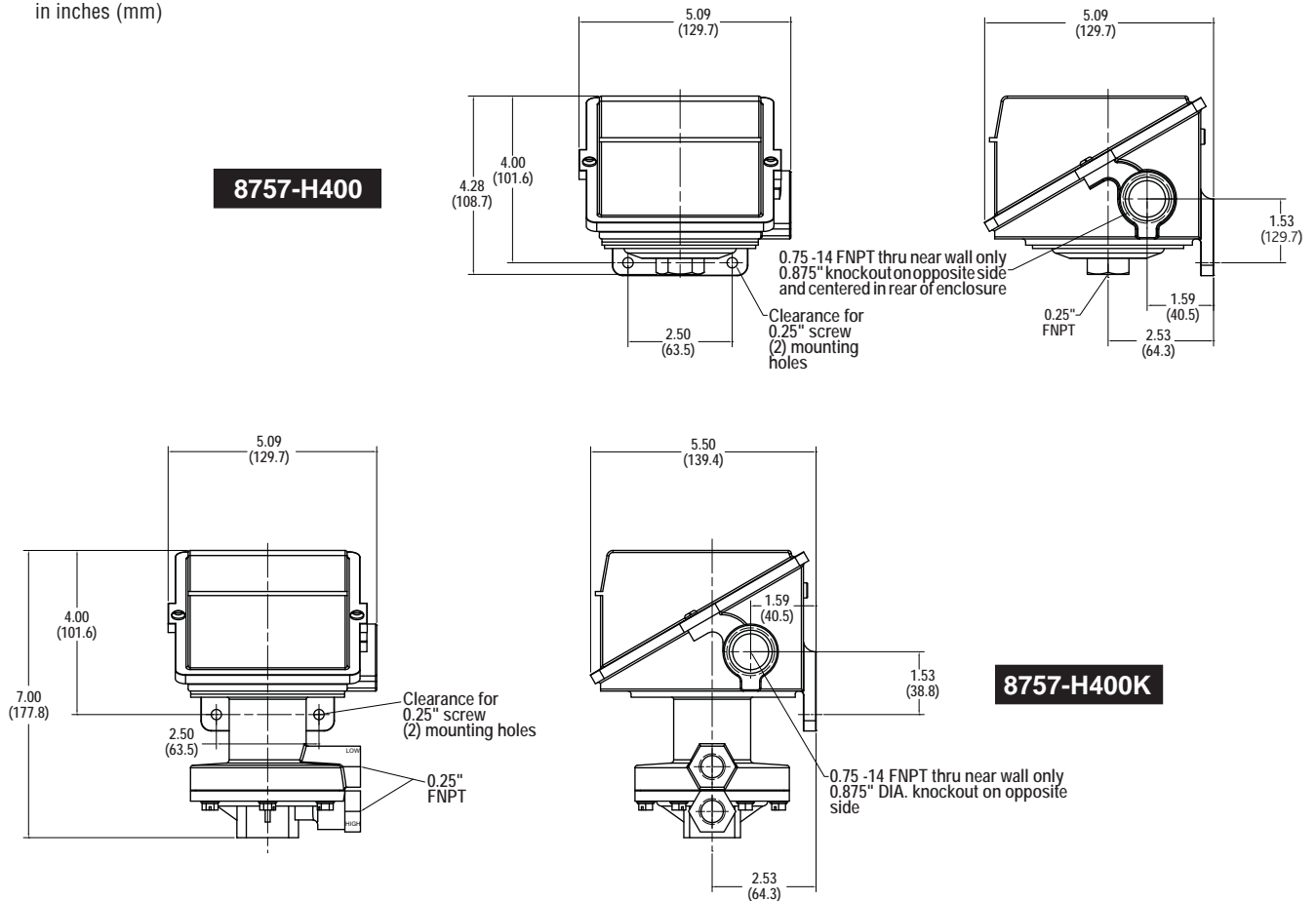
FivesNA Switch Designation	Service	Action Pressure Rise	Range of Operating Pressures	Max Static psi	Max Ambient Temp F	Differential Pressure (Dead Band)	Switch Rating		Approvals	Enclosure	Notes
							120Vac (Amps)	240Vac (Amps)			
8757-PG70-153/P1	Air	SPDT1	1-30" wc	2	180	4" wc	15	8	UL	1	1
8757-PG72-804/P1	Air	DPDT2	1-30" wc	2	180	8" wc	5	5	UL	1	2
8757-PG70-153/P2	Air	SPDT1	0.5-5 psi	10	180	0.5 psi	15	8	UL	1	1
8757-PG72-804/P2	Air	DPDT2	0.5-5 psi	10	180	1 psi	5	5	UL	1	2
8757-PGW70-153/P2	Air	SPDT1	0.5-5 psi	10	180	0.5 psi	15	8	UL	3R	1
8757-H400K-455	Air	SPDT1	5-80" wc	225	160	1-4" wc	15	15	FM, UL, CE	4X	1
8757-H400K-457	Air	SPDT1	3-30 psi	225	160	0.1-0.4 psi	15	15	FM, UL, CE	4X	1

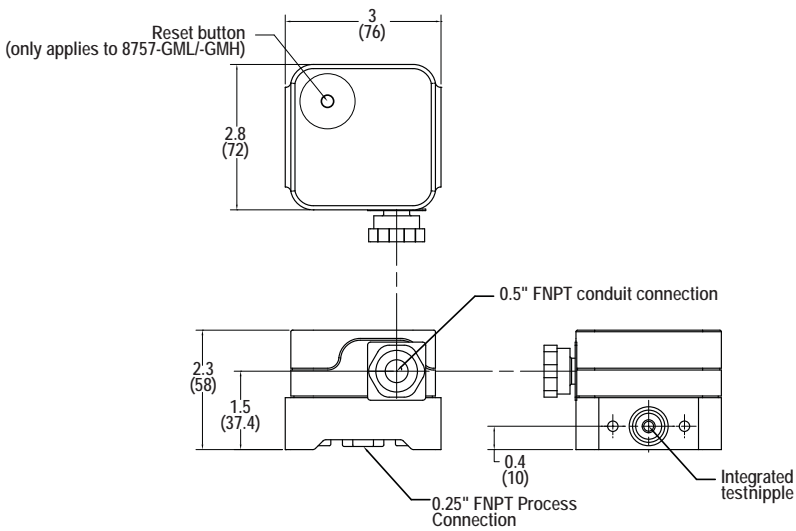
NOTES:

1. SPDT (Single Pole Double Throw) action means the switch makes one circuit and breaks another.
2. DPDT (Double Pole Double Throw) action means the switch makes two circuits and breaks two circuits.
3. These pressure switches must be mounted level and where they are relatively free from vibration.
4. A siphon (ordered separately) must always be connected between the pressure switch and the line when used with steam to act as a thermal buffer. Specify R830-6699 for 180° siphon, R830-6698 for a 90° siphon.
5. When used with pre-heated oil, a siphon loop must always be connected between the pressure switch and main pipe to act as a thermal buffer.
6. Pressures listed under heading "Max Static psi" are the switches Proof Pressures.
7. Manual Reset required.
8. These switches have a 1/4" vent which must be piped to an approved location.
9. These switches do not require a conduit seal to meet 4.1.3.2 of NFPA 86 2011.

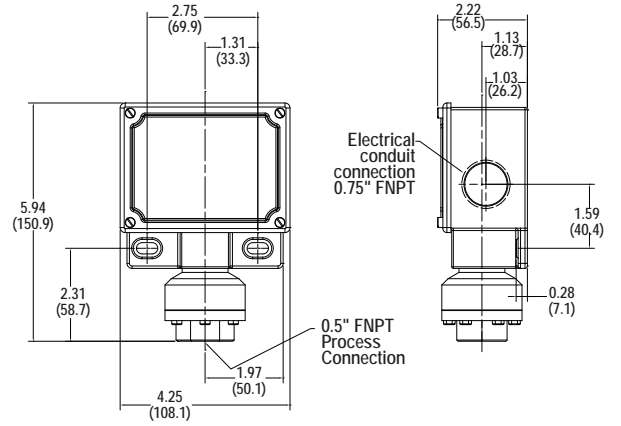
DIMENSIONS

in inches (mm)

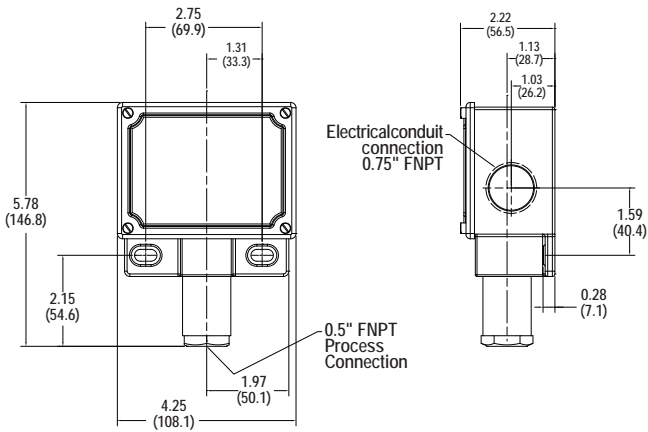




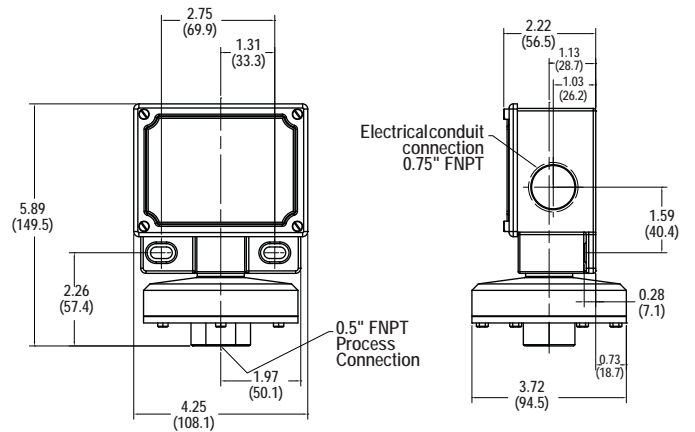
8757-GAO, -GML, -GMH



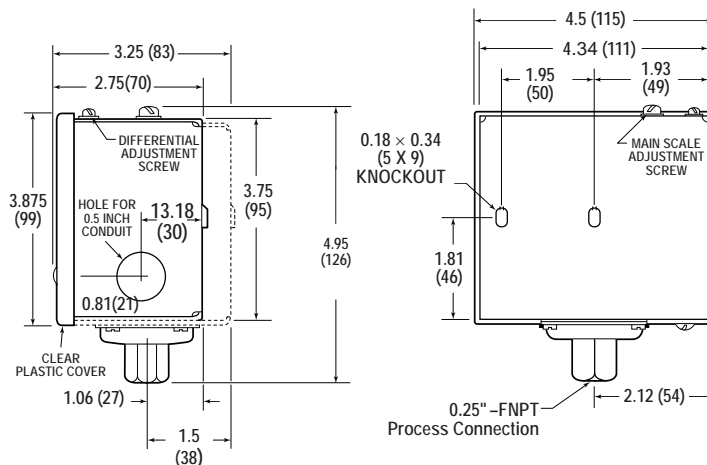
8757-4NN



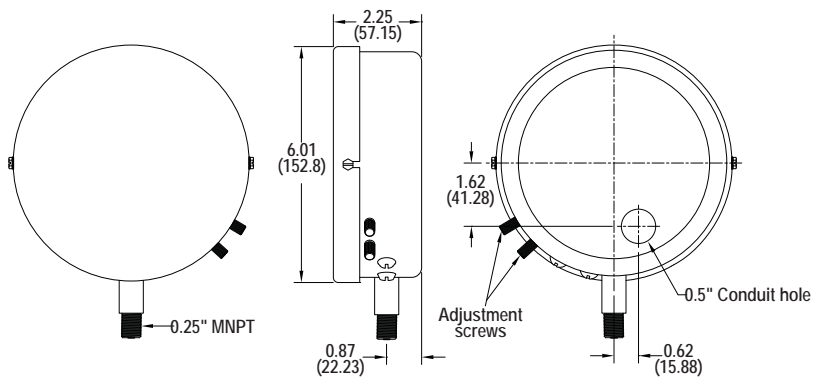
8757-6NN



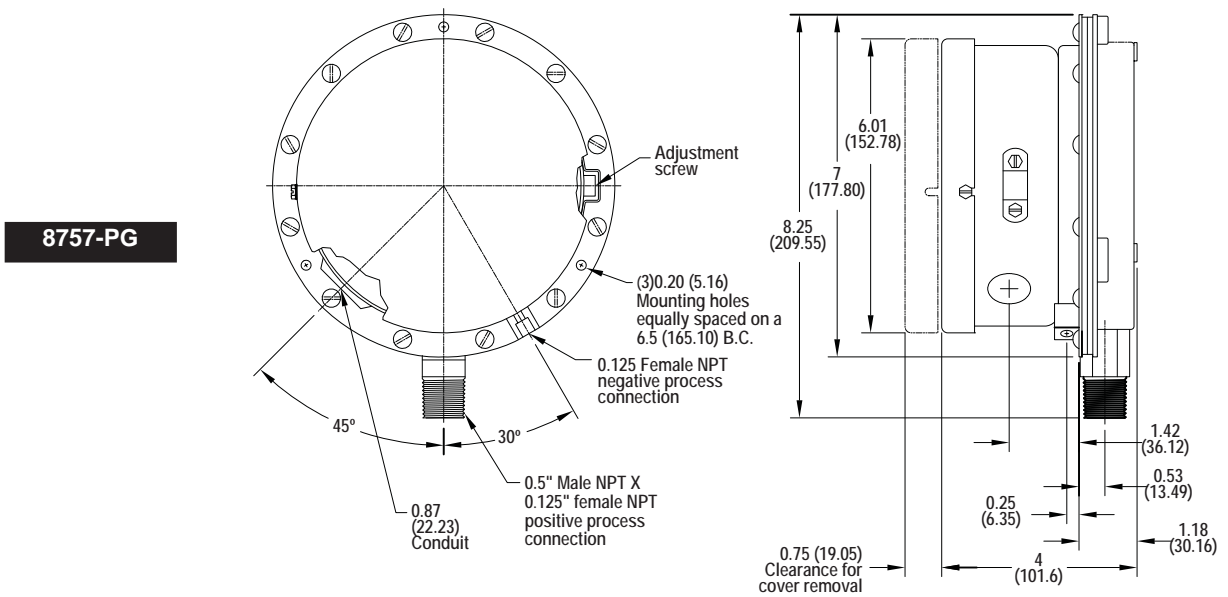
8757-12NN



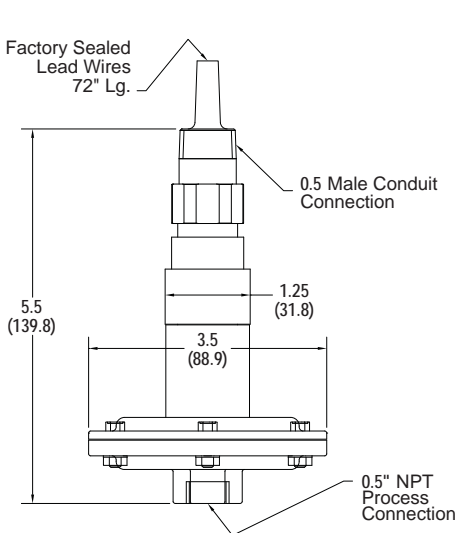
8757-L404



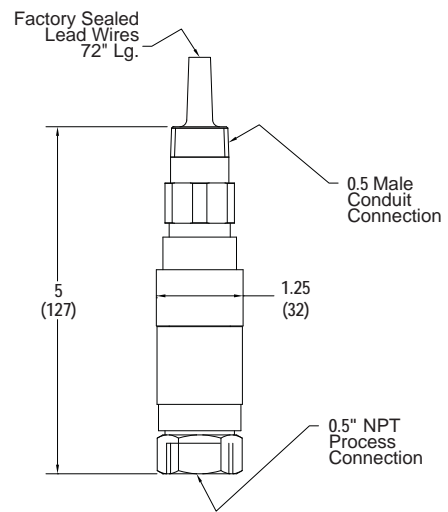
8757-DS



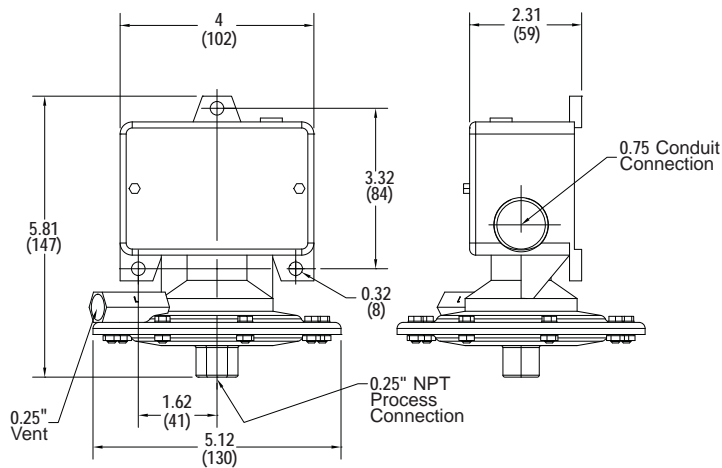
8757-PG



8757-12-65I
8757-12-5P

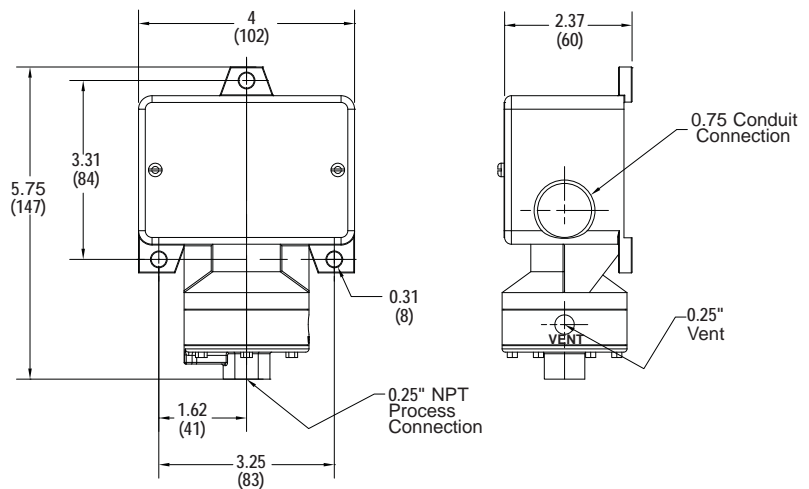


8757-12-15P
8757-12-50P
8757-12-100P



**8757-D4-30I
8757-D4-60I
8757-D4-100I
8757-D4-150I**

**8757-B4-15P
8757-B4-30P
8757-B4-60P
8757-B4-100P
8757-B4-200P**



DIMENSIONS SHOWN ARE SUBJECT TO CHANGE. PLEASE OBTAIN CERTIFIED PRINTS FROM FIVES NORTH AMERICAN COMBUSTION, INC. IF SPACE LIMITATIONS OR OTHER CONSIDERATIONS MAKE EXACT DIMENSION(S) CRITICAL.

WARNING: Situations dangerous to personnel and property may exist with the operation and maintenance of any combustion equipment. The presence of fuels, oxidants, hot and cold combustion products, hot surfaces, electrical power in control and ignition circuits, etc., are inherent with any combustion application. Parts of this product may exceed 160F in operation and present a contact hazard. Fives North American Combustion, Inc. urges compliance with National Safety Standards and Insurance Underwriters recommendations, and care in operation.

Fives North American Combustion, Inc. - 4455 East 71st Street - Cleveland, OH 44105 USA - Phone 216.271.6000
Fax 216.641.7852 - email: fna.sales@fivesgroup.com - www.fivesgroup.com/fivesna