

**8736-A.** Range: 0 - 6"wc. Max. pressure rating: 250 psi.

A U-Type manometer designed for use with 8697 Metering Orifices. It must be filled with unity oil (water cannot be used). Filling instructions are on the oil can. Instructions for using manometer are on its base.

Scale reads pressure drop in "wc and factors for flows through 8697 Metering Orifices (scfh = factor × 8697 orifice rating at 3.5"wc drop).

Manometer includes assembled hose nipples and equalizing valve. Wt 2¼ lb

**8736-B.** Range 0 - 6"wc. Max. pressure rating: 250 psi.

Same as 8736-A but with bypass valve to permit line pressures up to 40 psig. Wt 2¾ lb

Red unity oil (1.0 s.g.) is available in ½ pint cans, good for 40 manometer fillings. (8736-OR)

**8736-C.** Range 15"wc. Max. pressure rating: 250 psi.

U-type manometer for measuring pressure, vacuum, or differential pressures in gas or air lines using water in tube.

Pyrex tube in cast case and adjustable silver scale with inches and tenths in black. Supplied as shown with petcocks, equalizing valve, and hose nipples assembled, and a formed steel hook to permit hanging from pipe line. Wt 3½ lb

**8736-H.** Range: 0 - 48 osi, 0 - 3 psi. Max. press. rating: 250 psi.

U-Type manometer for measuring gas or air pressure complete with 6" column of mercury in pyrex tube and ¼" fpt petcock. Silver scale (adjustable) with black numbers. Wall mounted. Mercury is furnished separately.

**8736-F.** Ranges below. Max. pressure rating: 250 psi.

U-type manometer for measuring pressure, vacuum, or differential pressures in gas or air lines using water in tube.

Pyrex tube in cast case and adjustable silver scale with inches and tenths in black. Supported by piping or screwed to wall. ¼" fpt inlet and outlet.

<u>range</u>	<u>designation</u>	<u>wt, lb</u>
6"wc	8736-F-6	2
10"wc	8736-F-10	2½
15"wc	8736-F-15	2½
20"wc	8736-F-20	3¾

**WARNING:** Situations dangerous to personnel and property may exist with the operation and maintenance of any combustion equipment. The presence of fuels, oxidants, hot and cold combustion products, hot surfaces, electrical power in control and ignition circuits, etc., are inherent with any combustion application. Parts of this product may exceed 160F in operation and present a contact hazard. Fives North American Combustion, Inc. urges compliance with National Safety Standards and insurance Underwriters recommendations, and care in operation.

## INCLINED MANOMETERS

An inclined manometer is used to measure very small pressures, vacuums, or differentials. The slanted scale enables reading 0.01"wc variations, which is impossible with conventional manometers or gauges.

### RANGES AND DIMENSIONS

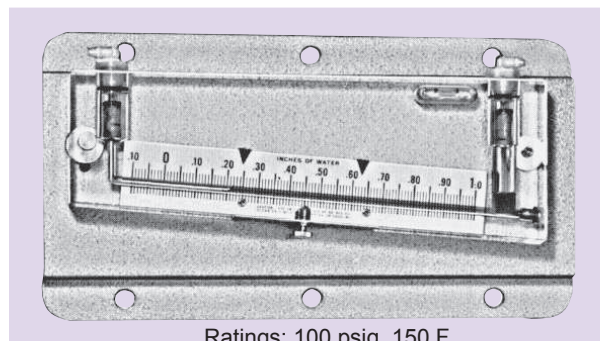
Manometer designation	inches of water	range minor scale div.	scale length, in.
R300-4155	-0.10 to +1.00	0.01	8 $\frac{1}{4}$
R300-4150	-0.05 to +0.25	0.005	6

Manometer designation	dimensions in inches						approx. wt, lb
	A	B	C	D	E	F	
R300-4155	7	13	3 $\frac{15}{16}$	11 $\frac{3}{8}$	2	4 $\frac{1}{2}$	3 $\frac{3}{4}$
R300-4150	7	10	3 $\frac{1}{16}$	9 $\frac{1}{2}$	2	3	3

These manometers use a 0.826 s.g. (red) oil, a bottle of which is included with each unit. Reservoir filling instructions are on the manometer case.

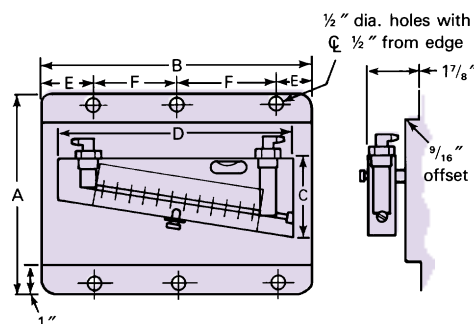
Manometers have molded nylon tubing connectors with integral manual shutoff valve. Two 3' lengths of flexible plastic tubing with  $\frac{1}{8}$ " mpt adapters are included with each manometer.

Red gauge oil (0.826 s.g.) is available in  $\frac{3}{4}$  oz. dispenser bottles. (R400-7003)



Ratings: 100 psig, 150 F

R300-4155 solid plastic inclined stationary gauge with -0.10 to +1.0"wc range.



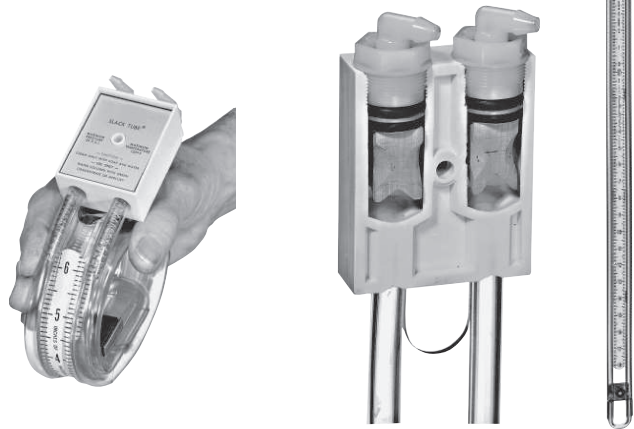
## ROLL-UP MANOMETERS

### the handy roll-up manometer with laboratory accuracy

Roll-up manometers are as accurate as laboratory "U" gauges—yet roll up compactly for easy carrying.

Unroll the manometer and set up to read static pressure, vacuum, or differential pressure. Magnetic clips hold it firmly to any steel surface or hang it on a nail. Turn connectors one revolution to open. When pressure is imposed, add the number of inches one column travels up to the number of inches the other column travels down. When reading is completed turn connectors to seal columns, roll up manometer into compact coil, and tuck it away in its circular metal case or a tool box.

All models have flexible vinyl-plastic columns and flexible spring steel scale calibrated in inches of water using water. Scale is center-mounted between columns to eliminate parallax error and has a full 2-inch sliding zero adjustment.



Manometer extended view at right, rolled up for easy handling and storage at left, and close-up view of molded acrylic top, connectors, and overpressure traps, middle.

Roll-up manometers feature exclusive molded nylon tubing connector assemblies with rapid shutoff design in an acrylic plastic top. One turn counterclockwise and the instrument is ready for use. Another turn seals the tubes. Molded all-nylon construction assembly is corrosion-proof, leak-proof, and practically unbreakable. Tubing connectors extend horizontally allowing 360° freedom. Tubes won't bend or pinch off.

Overpressure traps in the top of both columns prevent loss of fluid due to overrange pressures or surges in pressure.

R Number designation	Description	Max. pressure
R300-2108	Roll-up Manometer 8"-0-8"	50 psi
R300-2112	Roll-up Manometer 12"-0-12"	50 psi
R300-2115	Roll-up Manometer 15"-0-15"	50 psi
R300-2118	Roll-up Manometer 18"-0-18"	50 psi

Standard are metal carrying case, magnetic mounting clips, two rapid shutoff type molded nylon rubber tubing connectors, and one bottle of fluorescent green color concentrate with wetting agent.