

8735 Pressure Gauges with English and Metric Scales

Gauge designation	Range (from zero)	Case	Male pipe connection	Use
8735-W ^①	12"wc (300 mm H ₂ O)	2 1/2" black steel	1/8" bottom	air or gas
8735-G ^②	±30 osi (±1250 mm H ₂ O)	2 1/2" chrome	1/4" bottom	
8735-HM ^① 8735-HI ^①	32 osi (1400 mm H ₂ O) 35 osi (60"wc)	2 1/2" black steel 2 1/2" black steel	1/4" bottom 1/4" bottom	
8735-Q	5 psi (250 mm Hg)	2 1/2" black steel	1/4" bottom	air and gases or liquids not corrosive to brass
8735-R	15 psi (1 kg/cm ²)	2 1/2" black steel	1/4" bottom	
8735-A	30 psi (0-210 kPa)	1 1/2" black steel	1/8" back	
8735-B	60 psi	1 1/2" black steel	1/8" back	
8735-C	0-20 osi	2 1/2" black steel	1/4" bottom	
8735-J	30 psi (2 kg/cm ²)	2 1/2" black steel	1/4" back	
8735-L	30 psi (2 kg/cm ²)	2 1/2" black steel	1/4" bottom	
8735-M	60 psi (4 kg/cm ²)	2 1/2" black steel	1/4" bottom	
8735-P	100 psi (7 kg/cm ²)	2 1/2" black steel	1/4" bottom	
8735-K	100 psi (7 kg/cm ²)	2 1/2" black steel	1/4" back	
8735-S	160 psi (11 kg/cm ²)	2 1/2" black steel	1/4" bottom	
8735-T	300 psi (20 kg/cm ²)	2 1/2" black steel	1/4" bottom	high
8735-V	[-30"Hg (-760 mm Hg) +15 psi (+1 kg/cm ²)]	2 1/2" black steel	1/4" bottom	

① includes stem dampener

② includes stem dampener/recalibrator

Select gauge for double the range of anticipated pressures. Note: Maximum accuracy is obtained in the middle third of gauge range. 8735-A and -B dials are 1 1/2" diameter--all others are 2 1/2". All gauges have black English scales and red metric scales. Dial faces are white.

Gauges weigh about 1/2 pound. Maximum ambient temperature is 125-150 F.

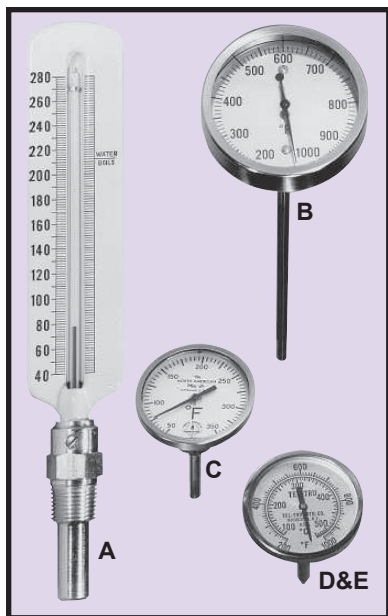
For shutoff when gauge is not being read, install a valve ahead of each gauge. An 1836-03 (1/4" mpt 1/4" fpt) brass needle valve is useful for shutoff, also to dampen excessive pulsations by partially closing.

Pressure gauges shall be isolated or protected from pulsation damage during operation of the burner system.

Under some conditions, pressure sensing on fuel oil lines downstream from feed pumps can lead to gauge failure when rapid pulsation exists. A failure of the gauge can result in fuel oil leakage. The gauge should be removed from service after initial burner start-up or after periodic burner checks. An alternative approach would be to protect the gauge during service with a pressure snubber.

per NFPA 86 6.3.5.5, A6.3.5.5 (2003)

8737 Thermometers



8737-A: 40 F to 260 F

For hot water, gas, or oil. Magnifying glass tube with red liquid. White enameled pressed steel case with black graduations and numbers. Overall length 10 $\frac{1}{4}$ ". Has $\frac{1}{2}$ " mpt bottom connection with $\frac{1}{4}$ " stem extension. Wt. $\frac{1}{2}$ lb.

8737-B: 200 F to 1000 F

Gases or liquids. Laboratory dial type with 9" stainless steel stem and $\frac{1}{2}$ " mpt center back connection. 3" silver dial in chrome case with black graduations and numbers. Insert stem a minimum of 4" into hot gases or 3" into liquids. Wt. $\frac{3}{4}$ lb.

8737-C: 50 F to 300 F, 10 C to 150 C

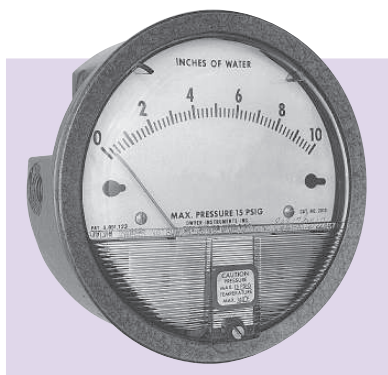
Hot oil thermometer. Dial type with 2 $\frac{1}{2}$ " stem and $\frac{1}{2}$ " mpt center back connection. 1 $\frac{3}{4}$ " white dial in 2" silver case with black (Fahrenheit) and red (Celsius) graduations and numbers. Wt. $\frac{1}{4}$ lb.

8737-D: 200 F to 1000 F, 100 C to 550 C

Back-connected thermometer for gases or liquids. Dial type with 2" diameter dial, 2 $\frac{1}{2}$ " stem length, $\frac{1}{4}$ " npt connection. Suitable for measuring radiant tube TwinBed[®] II plenum temperatures. Wt. 2 oz.

8737-F: 50 F to 500 F, 10 C to 260 C

Back-connected thermometer for gases or liquids. Dial type, 2" diameter dial, 6" stem length, $\frac{1}{4}$ " npt connection. Suitable for measuring direct fired TwinBed[®] II plenum temperatures. Wt. 2 oz.



Differential Pressure Gauges

Used to measure low air or gas pressures—positive, negative (vacuum), or differential.

They are accurate within $\pm 2\%$ of full scale throughout range (at 70 F). Their design has high resistance to shock, vibration, and over-pressures.

Gauges can be flush- or surface-mounted with standard hardware supplied. A 4 $\frac{1}{2}$ " hole is required for flush panel mounting. Although calibrated for vertical position, ranges above 1"wc can be used at any angle by simply re-zeroing.

Specifications

Ambient Temperature Limits: 20 to 140 F

Maximum Pressure: 15 psig

Connections: $\frac{1}{8}$ " npt high and low pressure taps, duplicated—one pair on side and one pair on back.

Housing: Die cast aluminum, baked dark gray hammerloid finish.

Weight: 1 lb 2 oz.

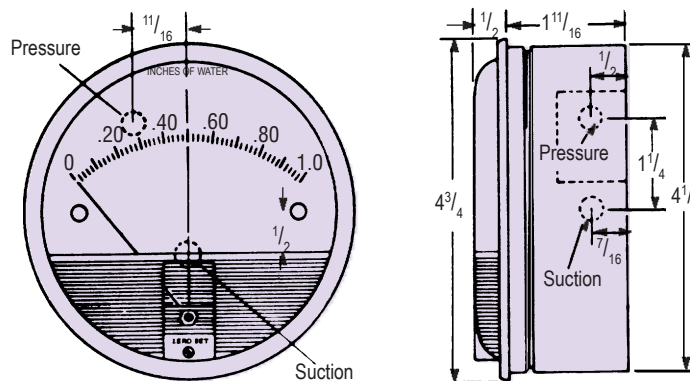
Standard Ranges

Product Number	Range "wc	Minor Division "wc
8735-DM2005†	5	0.10
8735-DM2010	10	0.20
8735-DM2015†	15	0.50
8735-DM2020	20	0.50
8735-DM2030†	30	1.0
8735-DM2040	40	1.0
8735-DM2301	+0.5 to -0.5	0.02
8735-DM2330†	+15 to -15	1.0

† No stocked by North American.

DIMENSIONS

inches



WARNING: Situations dangerous to personnel and property may exist with the operation and maintenance of any combustion equipment. The presence of fuels, oxidants, hot and cold combustion products, hot surfaces, electrical power in control and ignition circuits, etc., are inherent with any combustion application. Parts of this product may exceed 160F in operation and present a contact hazard. Fives North American Combustion, Inc. urges compliance with National Safety Standards and insurance Underwriters recommendations, and care in operation.

DIMENSIONS SHOWN ARE SUBJECT TO CHANGE. PLEASE OBTAIN CERTIFIED PRINTS FROM FIVES NORTH AMERICAN COMBUSTION, INC. IF SPACE LIMITATIONS OR OTHER CONSIDERATIONS MAKE EXACT DIMENSION(S) CRITICAL.

Fives North American Combustion, Inc. - 4455 East 71st Street - Cleveland, OH 44105 USA - Phone 216.271.6000

Fax 216.641.7852 - email: fna.sales@fivesgroup.com - www.fivesgroup.com/fivesna